

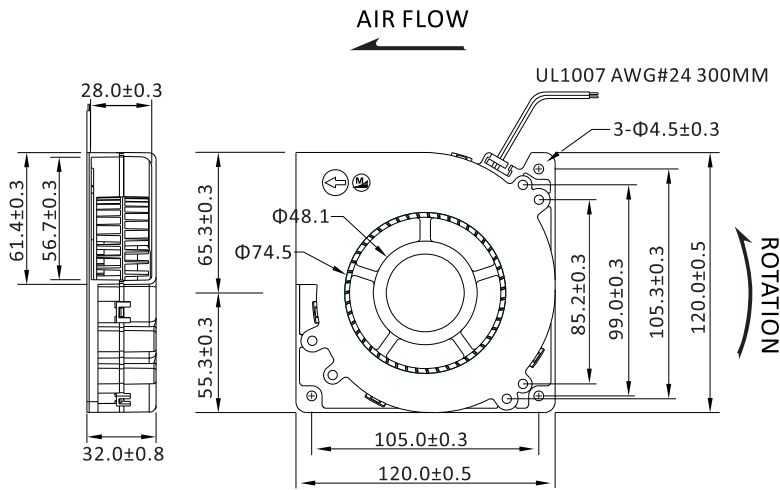
120x120x32mm  
DC 12V, 24V, 48V

**General Specifications**

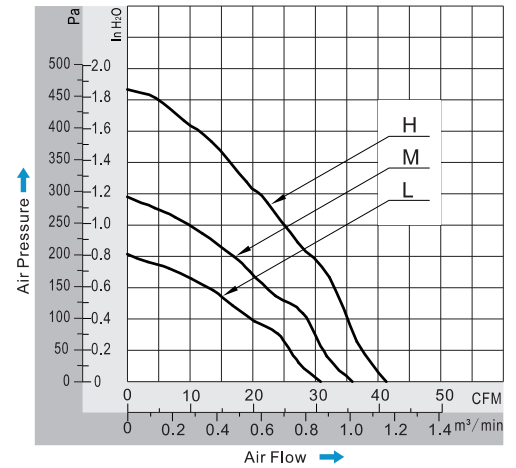
- ◆ Material..... Frame: Plastic (UL94V-0)  
Impeller: Plastic (UL94V-0)  
Lead Wire: UL1007AWG#24 or Equivalent (+)Red, (-)Black
- ◆ Expected Life..... Ball Bearing 50.000hrs (40°C)
- ◆ Temperature Range.. Operating temperature -10°C~+70°C (Non-condensing)  
Storage temperature -40°C~+70°C (Non-condensing)



**Dimensions(Unit:mm)**



**PQ Curve(At Rated Voltage)**



**Safety Standards**



**DC Fans Specials**



**Specifications**

Model	Bearing Type	Rated Voltage	Operating Voltage	Rated Current	Input Power	Speed	Max Air Flow	Max Static Pressure	Noise	Weight		
Part No.	B/S	VDC	VDC	Amp	Watt	RPM	CFM	m³/min	Inch-H2O	PA	dB-A	g
DB12032#12H	B	12	7,0~13,8	2,00	24,00	3500	41,20	1,166	1,85	461	57	278
DB12032#12M	B	12	7,0~13,8	1,00	12,00	3000	35,44	1,003	1,17	291	51	278
DB12032#12L	B	12	7,0~13,8	0,70	8,40	2500	30,79	0,871	0,83	207	45	278
DB12032#24H	B	24	14,0~27,6	1,00	24,00	3500	41,20	1,166	1,85	461	57	278
DB12032#24M	B	24	14,0~27,6	0,70	16,80	3000	35,44	1,003	1,17	291	51	278
DB12032#24L	B	24	14,0~27,6	0,40	9,60	2500	30,79	0,871	0,83	207	45	278
DB12032#48H	B	48	28,0~56,0	0,50	24,00	3500	41,20	1,166	1,85	461	57	278
DB12032#48M	B	48	28,0~56,0	0,30	14,40	3000	35,44	1,003	1,17	291	51	278
DB12032#48L	B	48	28,0~56,0	0,20	9,60	2500	30,79	0,871	0,83	207	45	278