

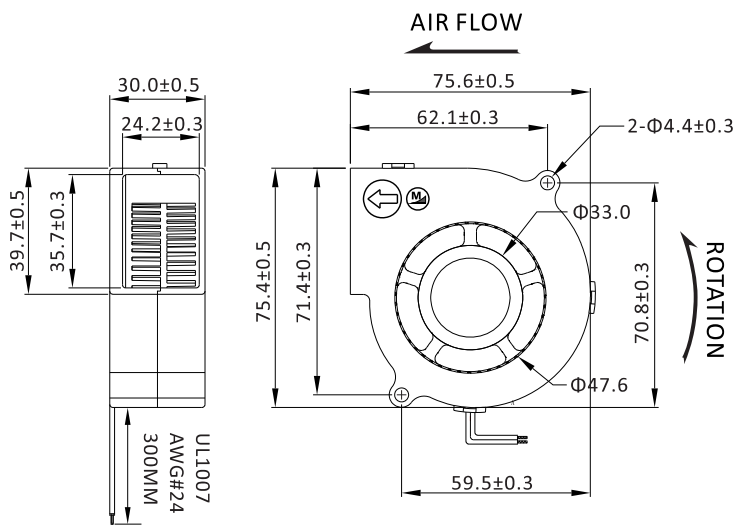
75x75x30mm  
DC 12V, 24V

**General Specifications**

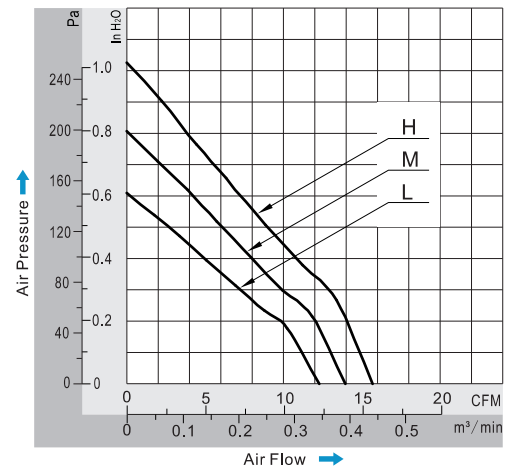
- ◆ Material..... Frame: Plastic (UL94V-0)  
Impeller: Plastic (UL94V-0)  
Lead Wire: UL1007AWG#24 or Equivalent (+)Red, (-)Black
- ◆ Expected Life..... Ball Bearing 50.000hrs (40°C)  
Sleeve Bearing 30.000hrs (40°C)
- ◆ Temperature Range.. Operating temperature -10°C~+70°C (Non-condensing)  
Storage temperature -40°C~+70°C (Non-condensing)



**Dimensions (Unit: mm)**



**PQ Curve (At Rated Voltage)**



**Safety Standards**



**DC Fans Specials**



**Specifications**

Model	Bearing Type	Rated Voltage	Operating Voltage	Rated Current	Input Power	Speed	Max Air Flow	Max Static Pressure	Noise	Weight		
Part No.	B/S	VDC	VDC	Amp	Watt	RPM	CFM	m³/min	Inch-H2O	PA	dB-A	g
DB07530#12H	B.S	12	7,0~13,8	0,60	7,20	4500	15,64	0,443	1,06	264	51	69
DB07530#12M	B.S	12	7,0~13,8	0,45	5,40	4000	13,67	0,387	0,81	202	46	69
DB07530#12L	B.S	12	7,0~13,8	0,35	4,20	3500	12,25	0,347	0,60	149	40	69
DB07530#24H	B.S	24	14,0~27,6	0,30	7,20	4500	15,64	0,443	1,06	264	51	69
DB07530#24M	B.S	24	14,0~27,6	0,25	6,00	4000	13,67	0,387	0,81	202	46	69
DB07530#24L	B.S	24	14,0~27,6	0,20	4,80	3500	12,25	0,347	0,60	149	40	69

DB07530 DC blower