

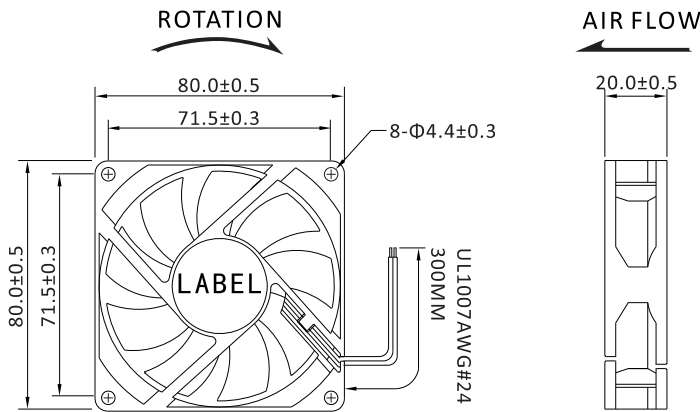
80x80x20mm
DC 12V, 24V, 48V



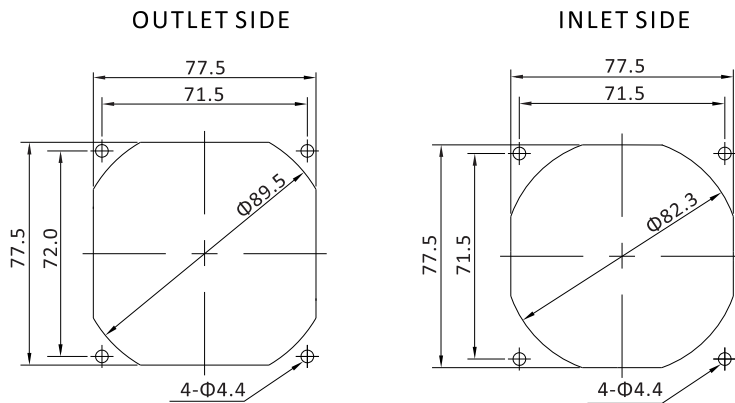
General Specifications

- ◆ Material..... Frame: Plastic (UL94V-0)
Impeller: Plastic (UL94V-0)
Lead Wire: UL1007AWG#24 or Equivalent (+)Red, (-)Black
- ◆ Expected Life..... Ball Bearing 50.000hr (40°C)
Sleeve Bearing 30.000hr (40°C)
- ◆ Temperature Range.. Operating temperature -10°C~+70°C (Non-condensing)
Storage temperature -40°C~+70°C (Non-condensing)

Dimensions (Unit: mm)



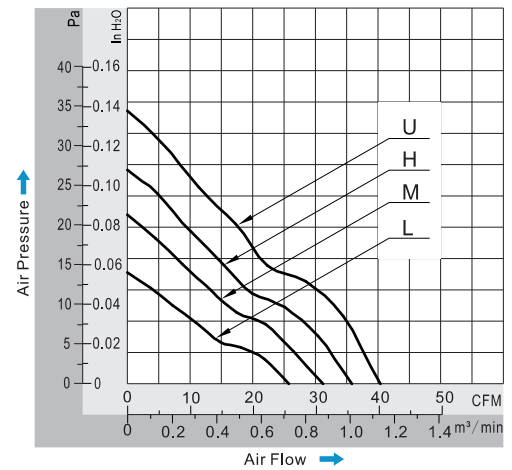
Mounting Panel Cutout (Unit: mm)



Specifications

| Model | Bearing Type | Rated Voltage | Operating Voltage | Rated Current | Input Power | Speed | Max Air Flow | Max Static Pressure | Noise | Weight | | |
|-------------|--------------|---------------|-------------------|---------------|-------------|-------|--------------|---------------------|----------|--------|------|----|
| Part No. | B/S | VDC | VDC | Amp | Watt | RPM | CFM | m ³ /min | Inch-H2O | PA | dB-A | g |
| DA08020#12U | B.S | 12 | 7,0~13,8 | 0,35 | 4,20 | 3500 | 40,31 | 1,141 | 0,14 | 35 | 35 | 58 |
| DA08020#12H | B.S | 12 | 7,0~13,8 | 0,25 | 3,00 | 3000 | 35,09 | 0,993 | 0,11 | 27 | 31 | 58 |
| DA08020#12M | B.S | 12 | 7,0~13,8 | 0,18 | 2,16 | 2500 | 30,72 | 0,869 | 0,08 | 20 | 25 | 58 |
| DA08020#12L | B.S | 12 | 7,0~13,8 | 0,13 | 1,56 | 2000 | 25,44 | 0,720 | 0,06 | 15 | 22 | 58 |
| DA08020#24U | B.S | 24 | 14,0~27,6 | 0,18 | 4,32 | 3500 | 40,31 | 1,141 | 0,14 | 35 | 35 | 58 |
| DA08020#24H | B.S | 24 | 14,0~27,6 | 0,14 | 3,36 | 3000 | 35,09 | 0,993 | 0,11 | 27 | 31 | 58 |
| DA08020#24M | B.S | 24 | 14,0~27,6 | 0,10 | 2,40 | 2500 | 30,72 | 0,869 | 0,08 | 20 | 25 | 58 |
| DA08020#24L | B.S | 24 | 14,0~27,6 | 0,07 | 1,68 | 2000 | 25,44 | 0,720 | 0,06 | 15 | 22 | 58 |
| DA08020#48U | B.S | 48 | 28,0~56,0 | 0,08 | 3,84 | 3500 | 40,31 | 1,141 | 0,14 | 35 | 35 | 58 |
| DA08020#48H | B.S | 48 | 28,0~56,0 | 0,05 | 2,40 | 3000 | 35,09 | 0,993 | 0,11 | 27 | 31 | 58 |
| DA08020#48M | B.S | 48 | 28,0~56,0 | 0,04 | 1,92 | 2500 | 30,72 | 0,869 | 0,08 | 20 | 25 | 58 |
| DA08020#48L | B.S | 48 | 28,0~56,0 | 0,02 | 0,96 | 2000 | 25,44 | 0,720 | 0,06 | 15 | 22 | 58 |

PQ Curve (At Rated Voltage)



Safety Standards



DC Fans Specials

