

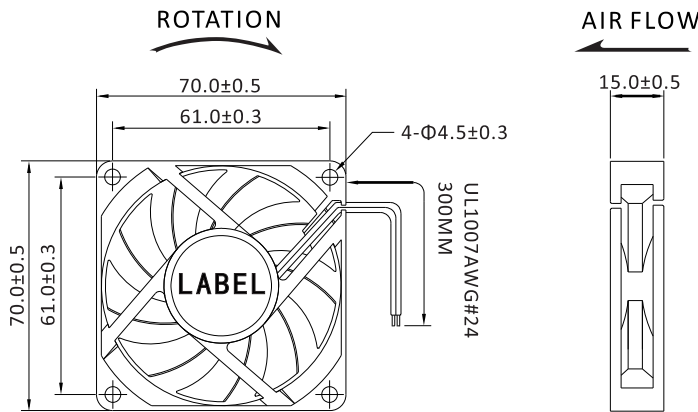
70x70x15mm
DC 12V, 24V



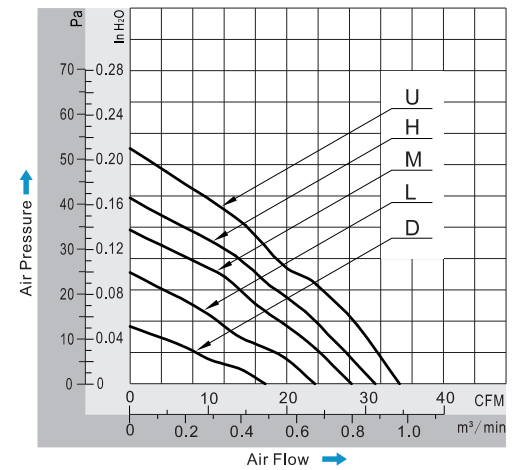
General Specifications

- Material..... Frame: Plastic (UL94V-0)
Impeller: Plastic (UL94V-0)
Lead Wire: UL1007AWG#24 or Equivalent (+)Red, (-)Black
- Expected Life..... Ball Bearing 50.000hrs (40°C)
Sleeve Bearing 30.000hrs (40°C)
- Temperature Range.. Operating temperature -10°C~+70°C (Non-condensing)
Storage temperature -40°C~+70°C (Non-condensing)

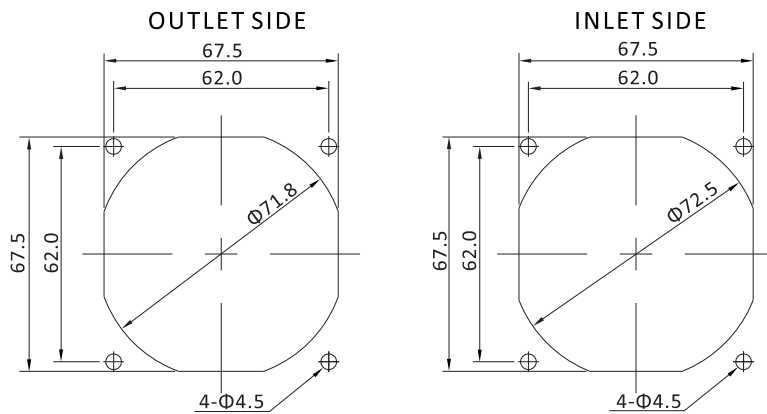
Dimensions (Unit: mm)



PQ Curve (At Rated Voltage)



Mounting Panel Cutout (Unit: mm)



Safety Standards



DC Fans Specials



Specifications

Model	Bearing Type	Rated Voltage	Operating Voltage	Rated Current	Input Power	Speed	Max Air Flow	Max Static Pressure	Noise	Weight		
Part No.	B/S	VDC	VDC	Amp	Watt	RPM	CFM	m³/min	Inch-H2O	PA	dB-A	g
DA07015#12U	B.S	12	7,0~13,8	0,45	5,40	4500	34,95	0,989	0,21	52	41	48
DA07015#12H	B.S	12	7,0~13,8	0,40	4,80	4000	31,28	0,885	0,16	40	36	48
DA07015#12M	B.S	12	7,0~13,8	0,30	3,60	3500	28,48	0,806	0,14	35	33	48
DA07015#12L	B.S	12	7,0~13,8	0,20	2,40	3000	23,95	0,678	0,10	25	28	48
DA07015#12D	B.S	12	7,0~13,8	0,15	1,80	2500	17,45	0,494	0,05	12	26	48
DA07015#24U	B.S	24	14,0~27,6	0,30	7,20	4500	34,95	0,989	0,21	52	41	48
DA07015#24H	B.S	24	14,0~27,6	0,28	6,72	4000	31,28	0,885	0,16	40	36	48
DA07015#24M	B.S	24	14,0~27,6	0,25	6,00	3500	28,48	0,806	0,14	35	33	48
DA07015#24L	B.S	24	14,0~27,6	0,20	4,80	3000	23,95	0,678	0,10	25	28	48
DA07015#24D	B.S	24	14,0~27,6	0,15	3,60	2500	17,45	0,494	0,05	12	26	48