

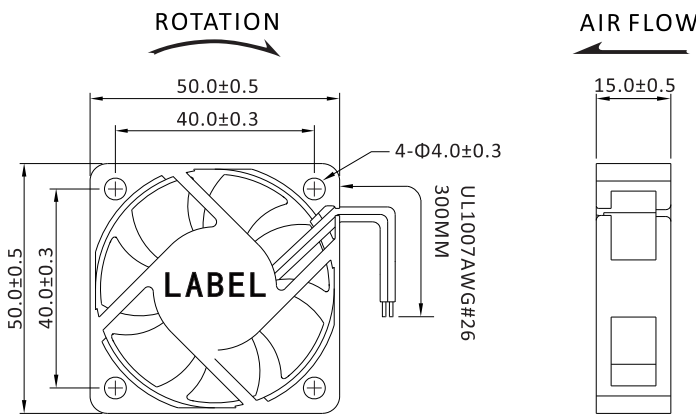
50x50x15mm
DC 5V, 12V, 24V



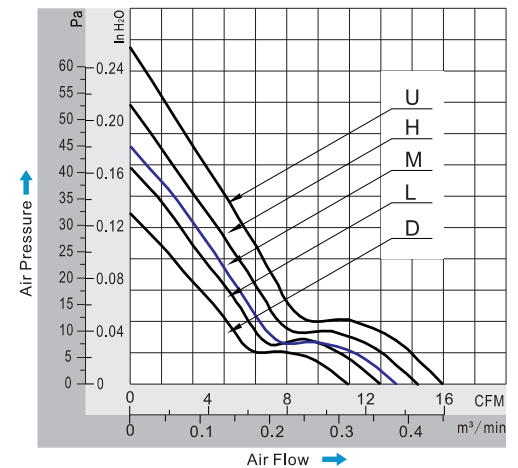
General Specifications

- Material..... Frame: Plastic (UL94V-0)
Impeller: Plastic (UL94V-0)
Lead Wire: UL1007AWG#26 or Equivalent (+)Red, (-)Black
- Expected Life..... Ball Bearing 50.000hrs (40°C)
Sleeve Bearing 30.000hrs (40°C)
- Temperature Range.. Operating temperature -10°C~+70°C (Non-condensing)
Storage temperature -40°C~+70°C (Non-condensing)

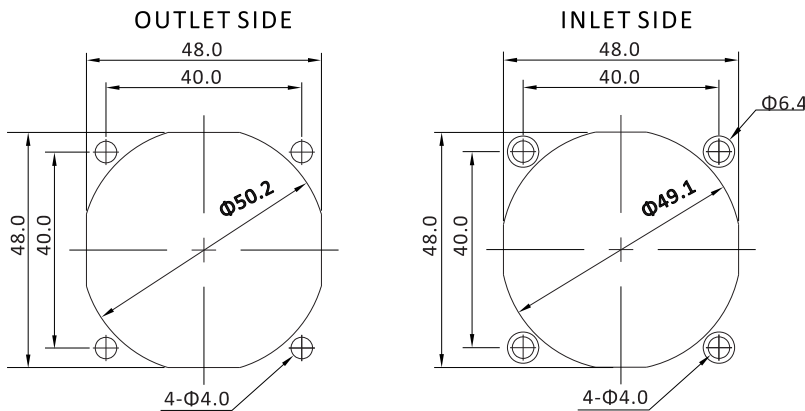
Dimensions (Unit: mm)



PQ Curve (At Rated Voltage)



Mounting Panel Cutout (Unit: mm)



Safety Standards



DC Fans Specials



Specifications

Model	Bearing Type	Rated Voltage	Operating Voltage	Rated Current	Input Power	Speed	Max Air Flow	Max Static Pressure	Noise	Weight		
Part No.	B/S	VDC	VDC	Amp	Watt	RPM	CFM	m³/min	Inch-H2O	PA	dB-A	g
DA05015#05H	B.S	5	3,5~5,5	0,50	2,50	6000	14,74	0,417	0,21	52	34	29
DA05015#05M	B.S	5	3,5~5,5	0,35	1,75	5500	13,29	0,376	0,18	45	31	29
DA05015#05L	B.S	5	3,5~5,5	0,25	1,25	5000	12,86	0,364	0,16	40	27	29
DA05015#05D	B.S	5	3,5~5,5	0,20	1,00	4500	11,29	0,320	0,13	32	25	29
DA05015#12U	B.S	12	7,0~13,8	0,20	2,40	6500	15,90	0,450	0,25	62	36	29
DA05015#12H	B.S	12	7,0~13,8	0,16	1,92	6000	14,74	0,417	0,21	52	34	29
DA05015#12M	B.S	12	7,0~13,8	0,14	1,68	5500	13,29	0,376	0,18	45	31	29
DA05015#12L	B.S	12	7,0~13,8	0,12	1,44	5000	12,86	0,364	0,16	40	27	29
DA05015#12D	B.S	12	7,0~13,8	0,10	1,20	4500	11,29	0,320	0,13	32	25	29
DA05015#24U	B.S	24	14,0~27,6	0,12	2,88	6500	15,90	0,450	0,25	62	36	29
DA05015#24H	B.S	24	14,0~27,6	0,10	2,40	6000	14,74	0,417	0,21	52	34	29
DA05015#24M	B.S	24	14,0~27,6	0,08	1,92	5500	13,29	0,376	0,18	45	31	29
DA05015#24L	B.S	24	14,0~27,6	0,07	1,68	5000	12,86	0,364	0,16	40	27	29
DA05015#24D	B.S	24	14,0~27,6	0,06	1,44	4500	11,29	0,320	0,13	32	25	29

Specifications are subject to change without notice.
Please visit our website www.bedek.de for further information and support.
M-FAN is a trademark of Shenzhen Huaxia Hengtai Electronic Co.,Ltd.

DA05015 DC Fan