

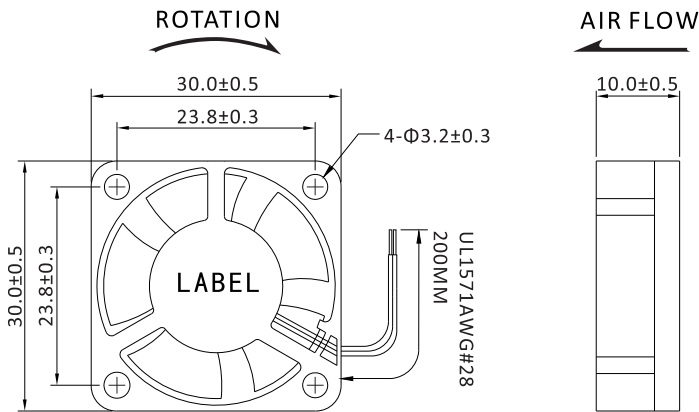
30x30x10mm  
DC 5V, 12V

**General Specifications**

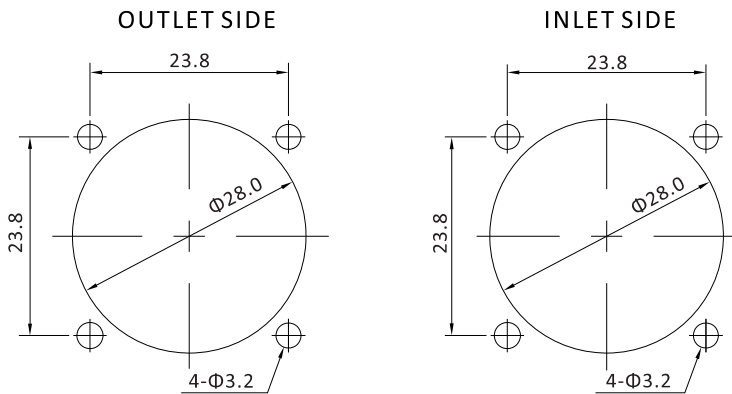
- ◆ Material..... Frame: Plastic (UL94V-0)  
Impeller: Plastic (UL94V-0)  
Lead Wire: UL1571AWG#28 or Equivalent (+)Red, (-)Black
- ◆ Expected Life..... Ball Bearing 50.000hrs (40°C)  
Sleeve Bearing 30.000hrs (40°C)
- ◆ Temperature Range.. Operating temperature -10°C~+70°C (Non-condensing)  
Storage temperature -40°C~+70°C (Non-condensing)



**Dimensions (Unit: mm)**



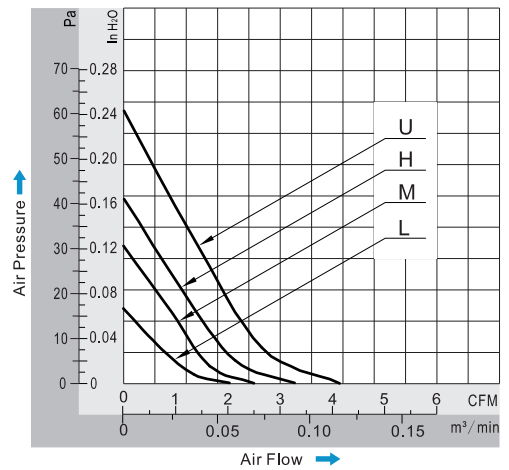
**Mounting Panel Cutout (Unit: mm)**



**Specifications**

Model	Bearing Type	Rated Voltage	Operating Voltage	Rated Current	Input Power	Speed	Max Air Flow	Max Static Pressure	Noise	Weight		
Part No.	B/S	VDC	VDC	Amp	Watt	RPM	CFM	m <sup>3</sup> /min	Inch-H2O	PA	dB-A	g
DA03010#05U	B.S	5	3,5~5,5	0,28	1,40	12000	4,15	0,117	0,25	62	34	8
DA03010#05H	B.S	5	3,5~5,5	0,20	0,10	10000	3,38	0,096	0,17	42	29	8
DA03010#05M	B.S	5	3,5~5,5	0,15	0,75	8000	2,49	0,070	0,13	32	24	8
DA03010#05L	B.S	5	3,5~5,5	0,10	0,50	6000	2,01	0,057	0,07	17	21	8
DA03010#12U	B.S	12	7,0~13,8	0,12	1,44	12000	4,15	0,117	0,25	62	34	8
DA03010#12H	B.S	12	7,0~13,8	0,10	1,20	10000	3,38	0,096	0,17	42	29	8
DA03010#12M	B.S	12	7,0~13,8	0,08	0,96	8000	2,49	0,070	0,13	32	24	8
DA03010#12L	B.S	12	7,0~13,8	0,05	0,60	6000	2,01	0,057	0,07	17	21	8

**PQ Curve (At Rated Voltage)**



**Safety Standards**



**DC Fans Specials**



DA03010 DC Fan