

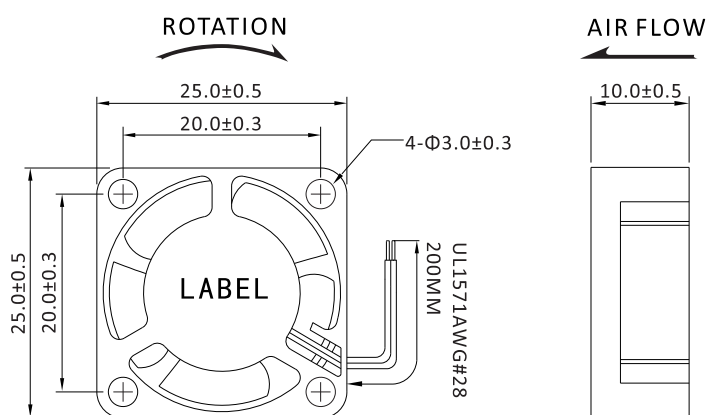
25x25x10mm
DC 5V, 12V

General Specifications

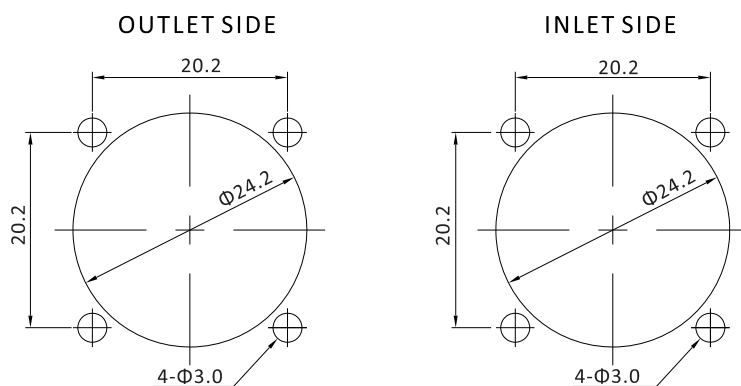
- ◆ Material..... Frame: Plastic (UL94V-0)
Impeller: Plastic (UL94V-0)
Lead Wire: UL1571AWG#28 or Equivalent (+)Red, (-)Black
- ◆ Expected Life..... Ball Bearing 50.000hrs (40°C)
Sleeve Bearing 30.000hrs (40°C)
- ◆ Temperature Range.. Operating temperature -10°C~+70°C (Non-condensing)
Storage temperature -40°C~+70°C (Non-condensing)



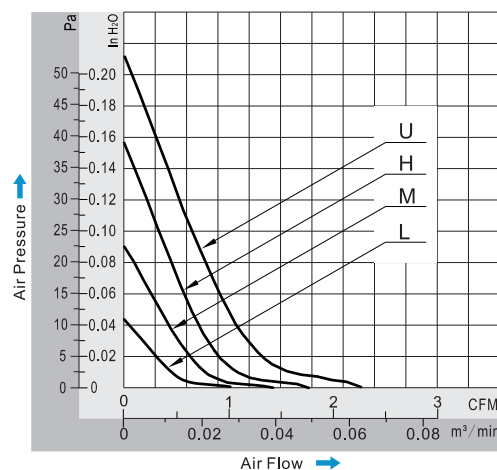
Dimensions (Unit: mm)



Mounting Panel Cutout (Unit: mm)



PQ Curve (At Rated Voltage)



Safety Standards



DC Fans Specials



Specifications

Model	Bearing Type	Rated Voltage	Operating Voltage	Rated Current	Input Power	Speed	Max Air Flow	Max Static Pressure	Noise	Weight		
Part No.	B/S	VDC	VDC	Amp	Watt	RPM	CFM	m³/min	Inch-H2O	PA	dB-A	g
DA02510#05U	B.S	5	3,5~5,5	0,20	1,00	12000	2,24	0,063	0,21	52	27	6
DA02510#05H	B.S	5	3,5~5,5	0,18	0,90	10000	1,91	0,054	0,16	40	25	6
DA02510#05M	B.S	5	3,5~5,5	0,14	0,70	8000	1,46	0,041	0,09	22	22	6
DA02510#05L	B.S	5	3,5~5,5	0,10	0,50	6000	1,00	0,028	0,05	12	18	6
DA02510#12U	B.S	12	7,0~13,8	0,10	1,20	12000	2,24	0,063	0,21	52	27	6
DA02510#12H	B.S	12	7,0~13,8	0,08	0,96	10000	1,91	0,054	0,16	40	25	6
DA02510#12M	B.S	12	7,0~13,8	0,06	0,72	8000	1,46	0,041	0,09	22	22	6
DA02510#12L	B.S	12	7,0~13,8	0,04	0,48	6000	1,00	0,028	0,05	12	18	6