

135x135x38mm
AC 100-120V & 200-240V

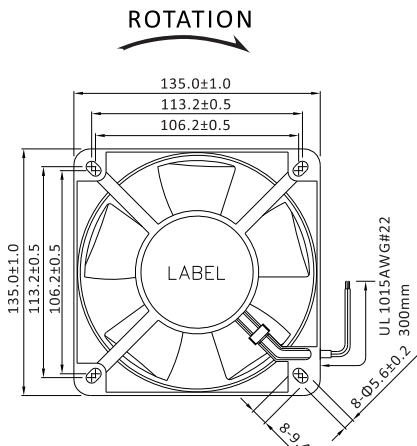


AA13538 AC Fan

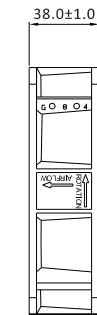
General Specifications

- ◆ Material..... Frame: Aluminum Alloy, Impeller: Plastic (UL94V-0)
Lead Wire: UL1015 22# black Terminal: 2.5mm
- ◆ Motor..... Shaded Pole & Internal Rotor Motor
- ◆ Input Voltage..... 110V/220V (optional)
- ◆ Dielectric Strength..... 50/60Hz, 1500VAC 1Min (between input terminal and frame)
- ◆ Expected Life..... Ball Bearing 50000hrs, Sleeve Bearing 30000hrs (40°C)
- ◆ Temperature Range..... Operating temperature -10°C~+70°C (Non-condensing)
Storage temperature -40°C~+70°C (Non-condensing)

Dimensions (Unit: mm)

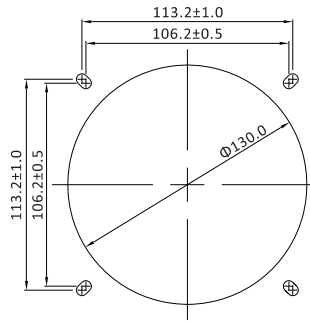


AIR FLOW

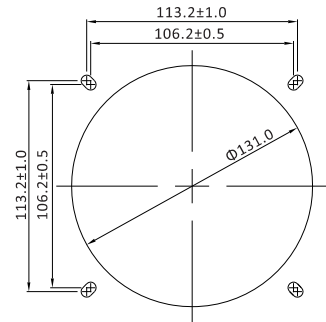


Mounting Panel Cutout (Unit: mm)

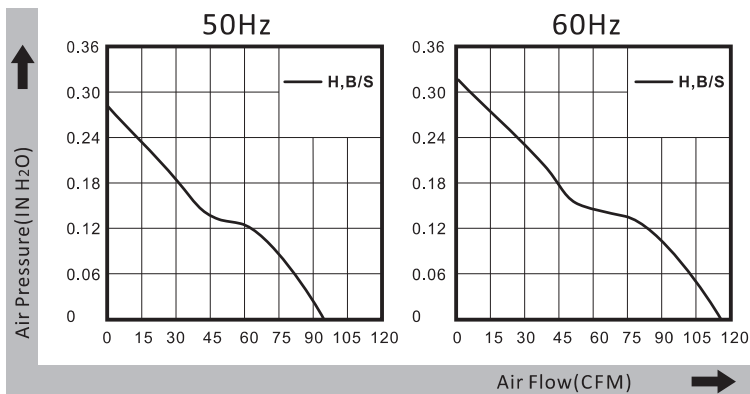
OUTLET SIDE



INLET SIDE



PQ Curve (At Rated Voltage)



Safety Standards



Specifications

Model	Bearing Type	Rated Voltage	Frequenz	Rated Current	Input Power	Speed	Max Air Flow	Max Static Pressure	Noise	Weight
Part No. B/S	DB/S	VAC	Hz	Amp	Watt	RPM	CFM m ³ /min	Inch-H2O PA	dB-A	g
AA13538S11HL	S	100~120	50	0.34	25	2250	95 2,689	0,28 70	55	650
AA13538S22HL	S	100~120	60	0.30	20	2450	110 3,113	0,32 80	57	650
AA13538S22HL	S	200~240	50	0.18	25	2250	95 2,689	0,28 70	55	650
AA13538S22HL	S	200~240	60	0.14	20	2450	110 3,113	0,32 80	57	650
AA13538B11HL	DB	100~120	50	0.34	25	2250	95 2,689	0,28 70	55	650
AA13538B11HL	DB	100~120	60	0.30	20	2450	110 3,113	0,32 80	57	650
AA13538B22HL	DB	200~240	50	0.18	25	2250	95 2,689	0,28 70	55	650
AA13538B22HL	DB	200~240	60	0.14	20	2450	110 3,113	0,32 80	57	650