

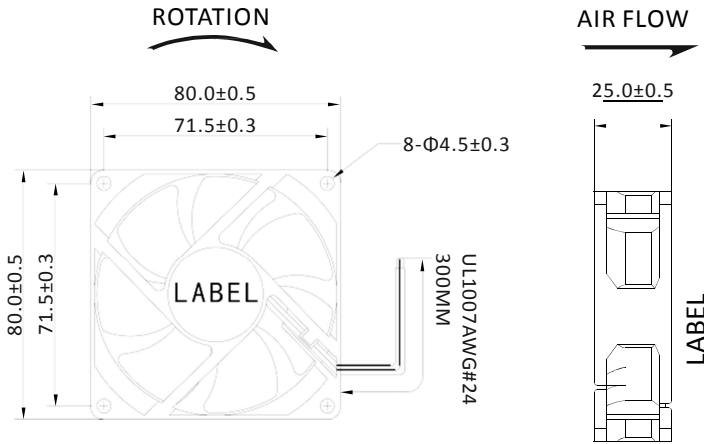
8025

80x80x25MM

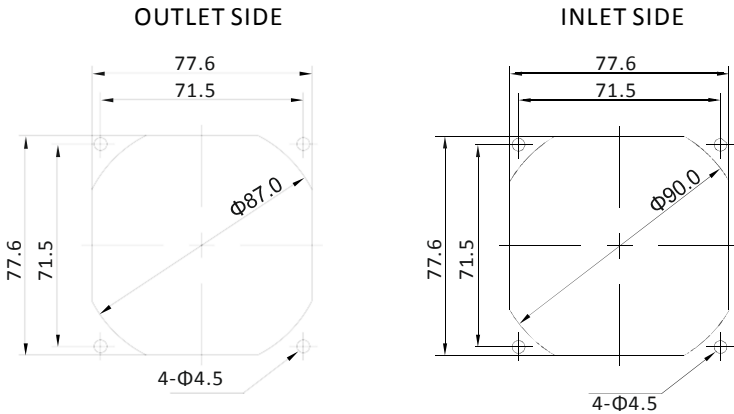
General Specifications

- Material..... Frame: Plastic  
(UL94V-0) Impeller:  
Plastic(UL94V-0)  
Lead Wire: UL1007AWG#24 or Equivalent (+)Red, (-)Black
- Expected Life..... Ball Bearing 50.000hrs(40°C)  
Sleeve Bearing 30.000hrs(40°C)
- Temperature Range.. Operating temperature -10°C~+70°C(Non-condensing)  
Storage temperature -40°C~+70°C(Non-condensing)

Dimensions (Unit:mm)



Mounting Panel Cutout (Unit:mm)

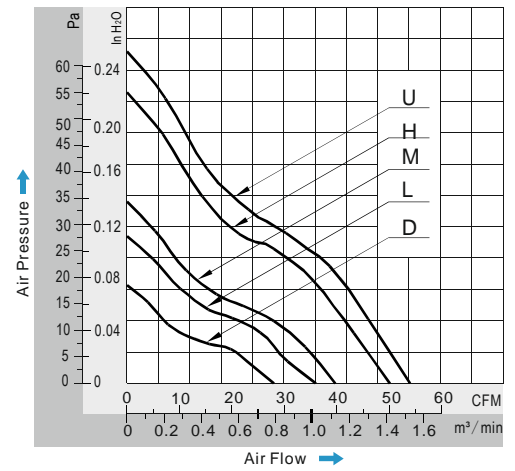


Specifications

Model	# Bearing Type	Rated Voltage	Operating Voltage	Input Current	Input Power	Speed	Max Air Flow	Max Static Pressure	Noise	Weight		
Part No.	B.S	VDC	VDC	Amp	Watt	RPM	CFM	m <sup>3</sup> /min	Inch-H <sub>2</sub> O	Pa	dB-A	g
DA08025#12U	B.S	12	7.0~13.8	0.50	6.00	4000	54.14	1.53	0.25	62.37	40.0	58.0
DA08025#12H	B.S	12	7.0~13.8	0.40	4.80	3500	50.35	1.43	0.22	54.82	36.0	58.0
DA08025#12M	B.S	12	7.0~13.8	0.30	3.60	3000	39.98	1.13	0.14	34.81	31.0	58.0
DA08025#12L	B.S	12	7.0~13.8	0.20	2.40	2500	35.67	1.01	0.11	27.65	25.0	58.0
DA08025#12D	B.S	12	7.0~13.8	0.10	1.20	2000	27.39	0.78	0.07	18.14	22.0	58.0
DA08025#24U	B.S	24	14.0~27.6	0.40	9.60	4000	54.14	1.53	0.25	62.37	40.0	58.0
DA08025#24H	B.S	24	14.0~27.6	0.30	7.20	3500	50.35	1.43	0.22	54.82	36.0	58.0
DA08025#24M	B.S	24	14.0~27.6	0.20	4.80	3000	39.98	1.13	0.14	34.81	31.0	58.0
DA08025#24L	B.S	24	14.0~27.6	0.15	3.60	2500	35.67	1.01	0.11	27.65	25.0	58.0
DA08025#24D	B.S	24	14.0~27.6	0.10	2.40	2000	27.39	0.78	0.07	18.14	22.0	58.0
DA08025#48U	B.S	48	28.0~56.0	0.30	14.40	4000	54.14	1.53	0.25	62.37	40.0	58.0
DA08025#48H	B.S	48	28.0~56.0	0.25	12.00	3500	50.35	1.43	0.22	54.82	36.0	58.0
DA08025#48M	B.S	48	28.0~56.0	0.20	9.60	3000	39.98	1.13	0.14	34.81	31.0	58.0
DA08025#48L	B.S	48	28.0~56.0	0.15	7.20	2500	35.67	1.01	0.11	27.65	25.0	58.0



PQ Curve (At Rated Voltage)



Safety Standards



DC Fans Specials

