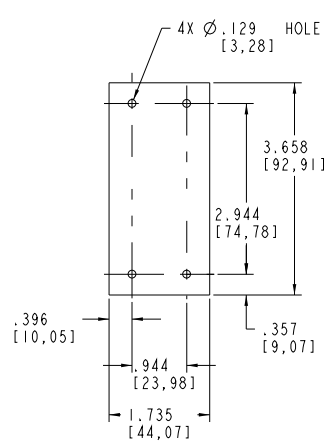
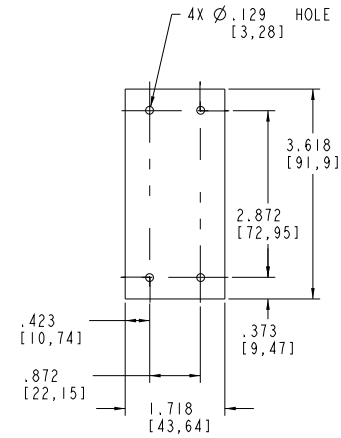


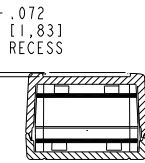
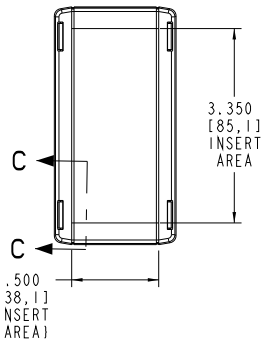
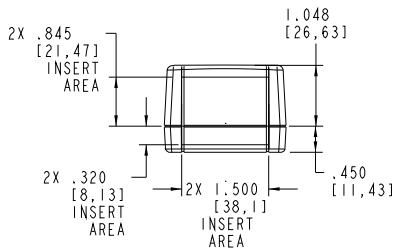
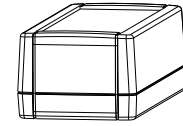
SECTION B-B



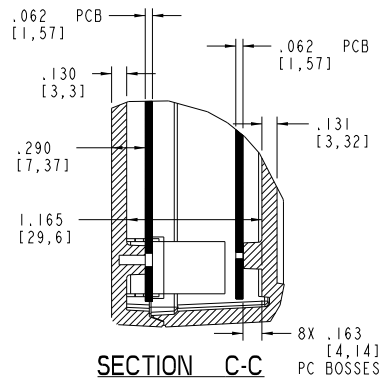
P.C. BOARD SIZE
(BOTTOM COVER)



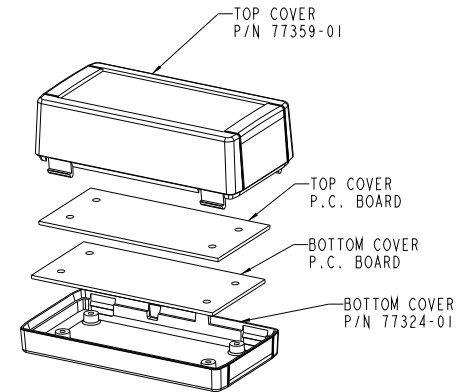
P.C. BOARD SIZE
(TOP COVER)



SECTION A-A



SECTION C-C
SCALE 2.000



PACINTEC®

1-610-361-4200

PS24-150

VISIT **PACINTEC®**
ON THE WORLD WIDE WEB
www.pactecenclosures.com

COLOR / MATERIAL CODE		
COLOR	94HB	94VO
BLACK	000	028
P.C.BONE	039	060

SCALE 1.000

DRAWING NUMBER	REV
77360	A