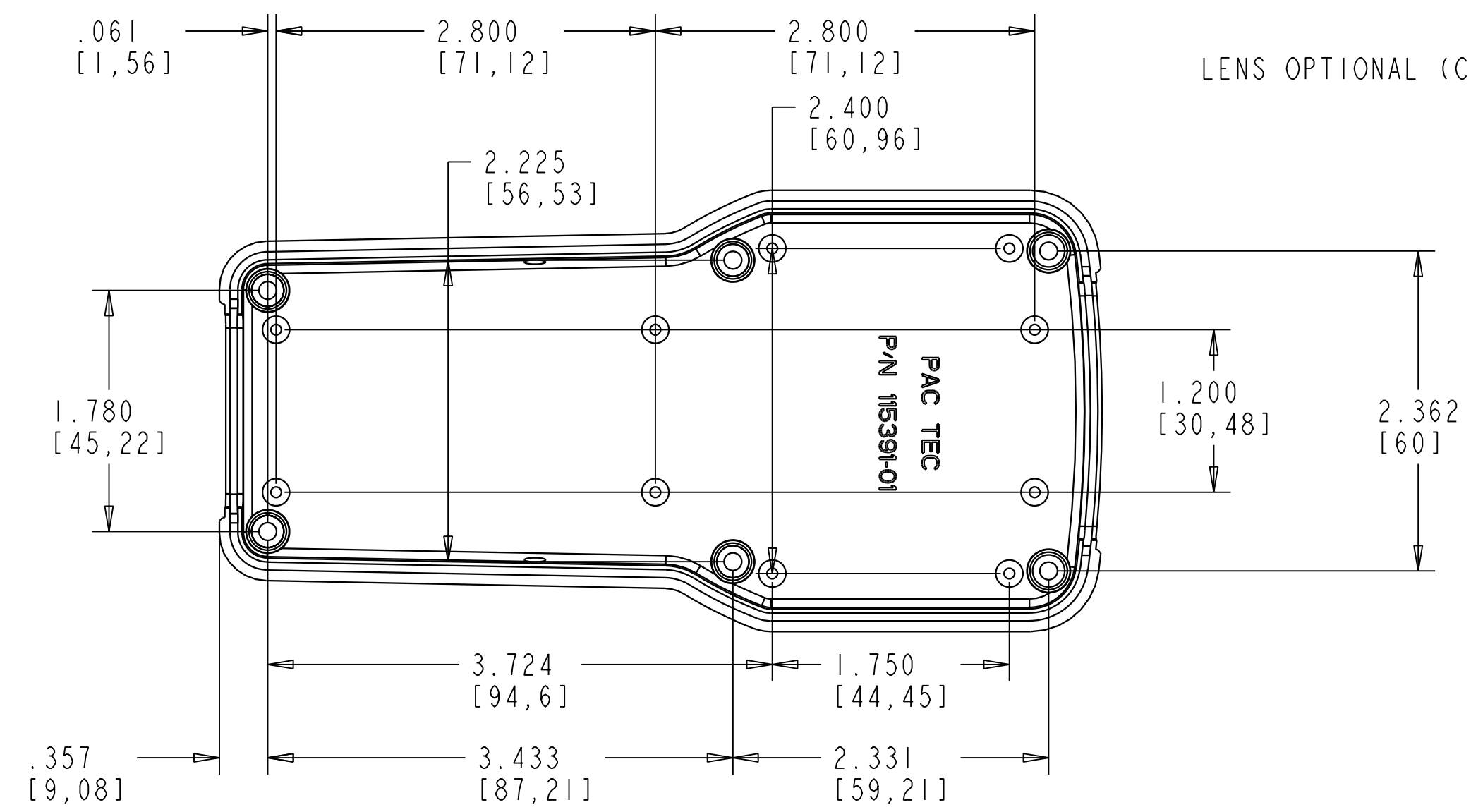
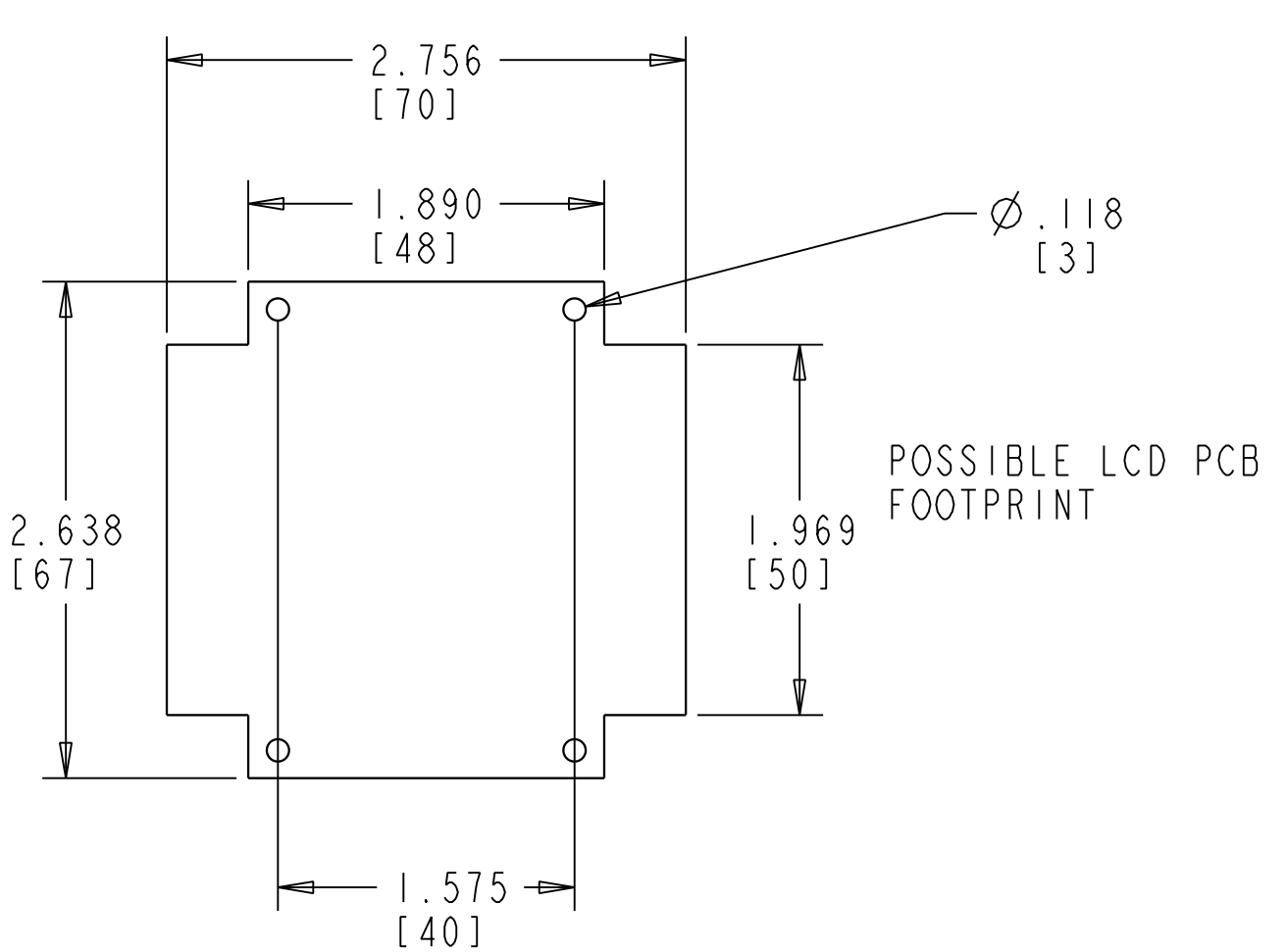
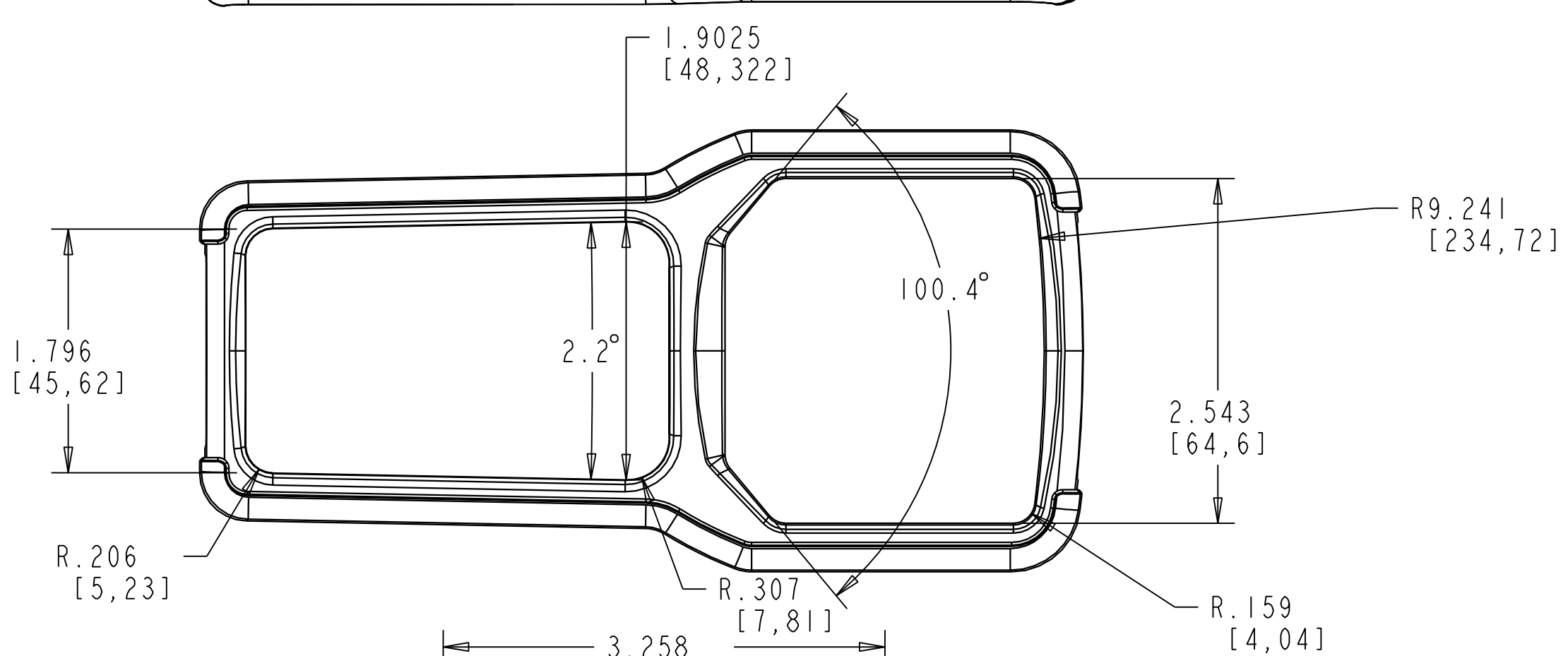
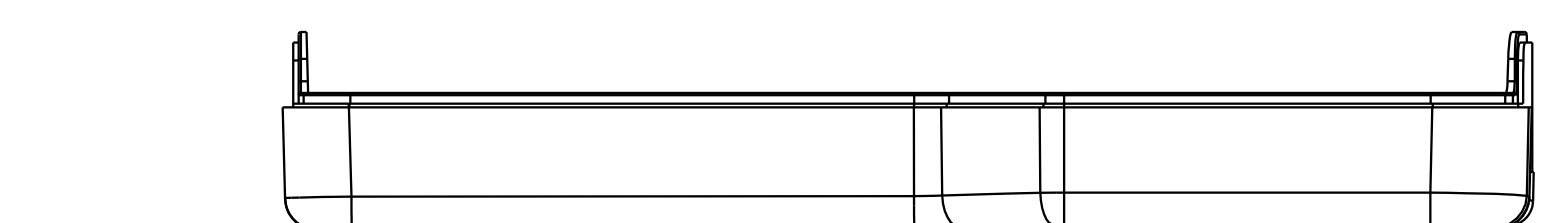
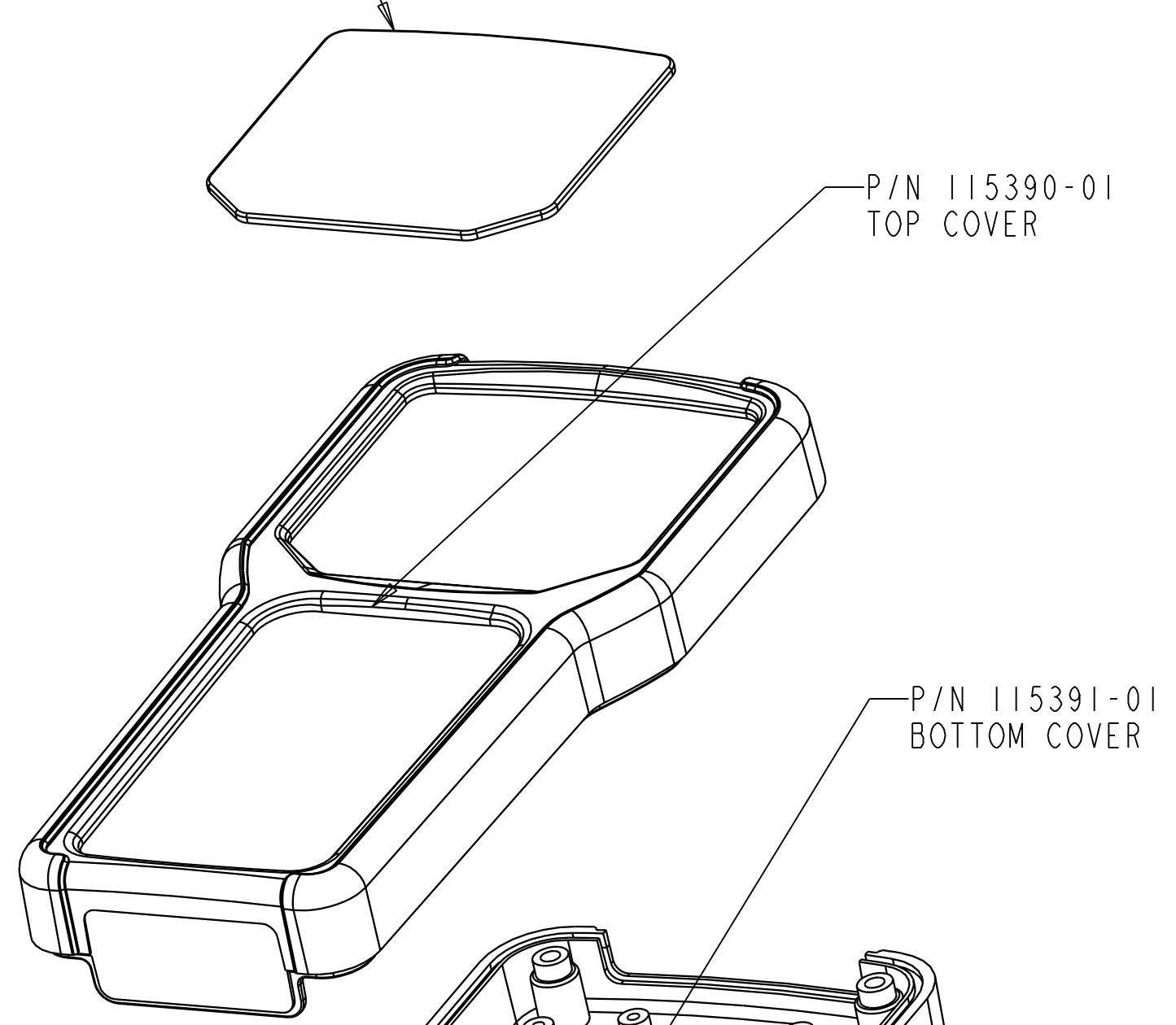


TOP COVER P/N 115390-01

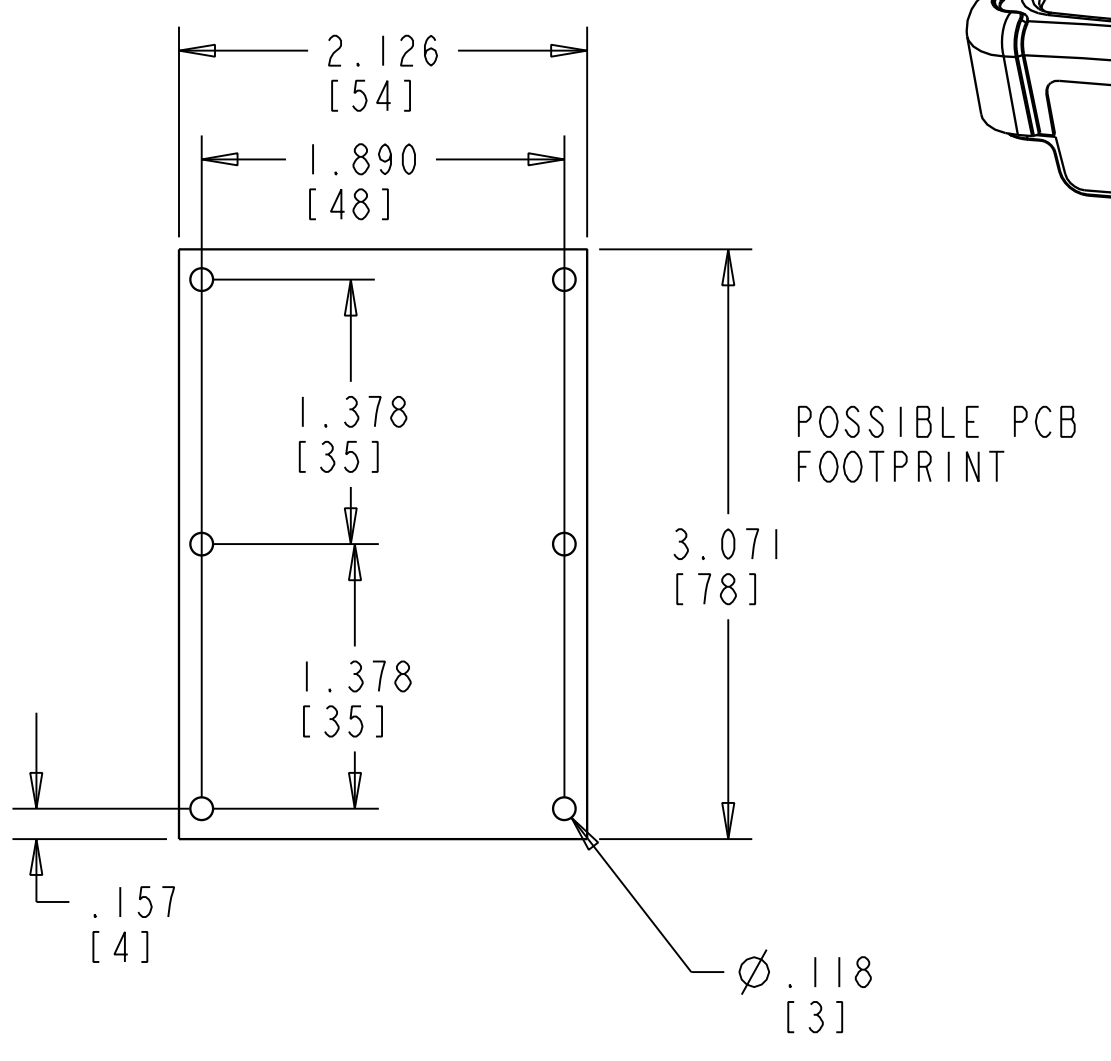


BOTTOM COVER P/N 115391-01

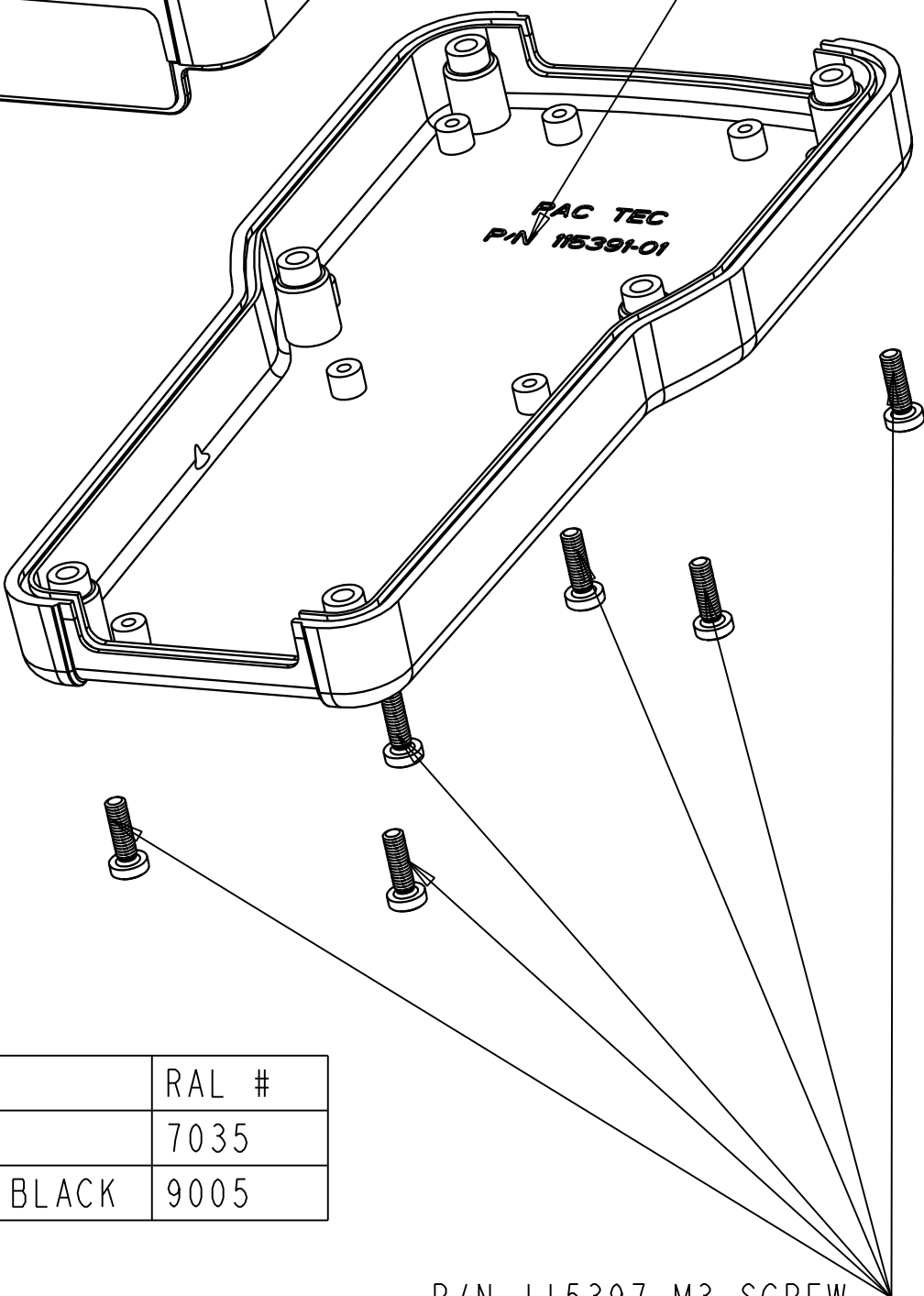
LENS OPTIONAL (CONTACT FACTORY FOR CUSTOM LENS OPTION)



POSSIBLE LCD PCB FOOTPRINT

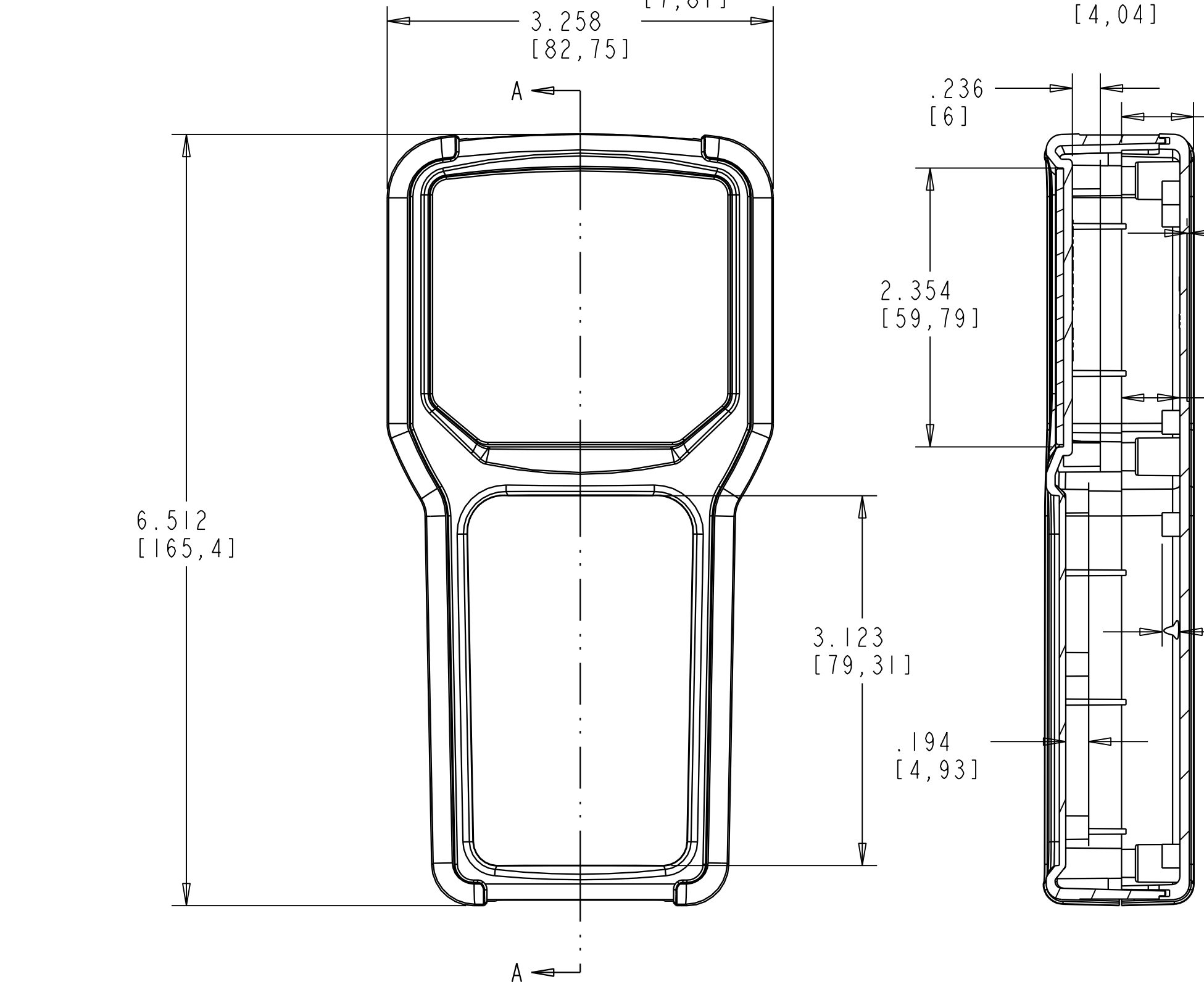


POSSIBLE PCB FOOTPRINT

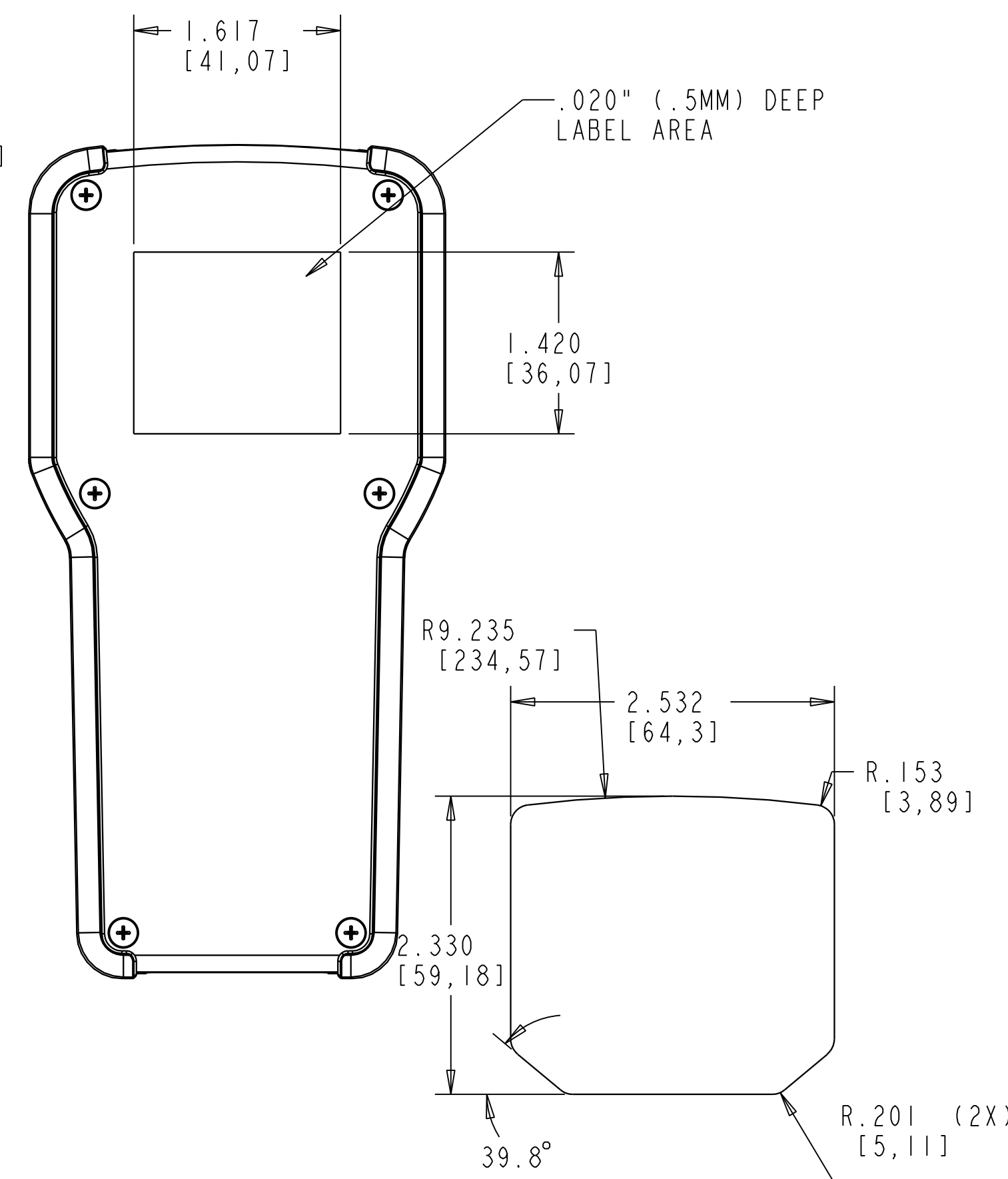


P/N 115397 M3 SCREW (6)
5 LB. TORQUE RECOMMENDED

COLOR	CODE #	PMS #	RAL #
GRAY ABS	508	429 C	7035
BLACK RUBBER	623	PROCESS BLACK	9005

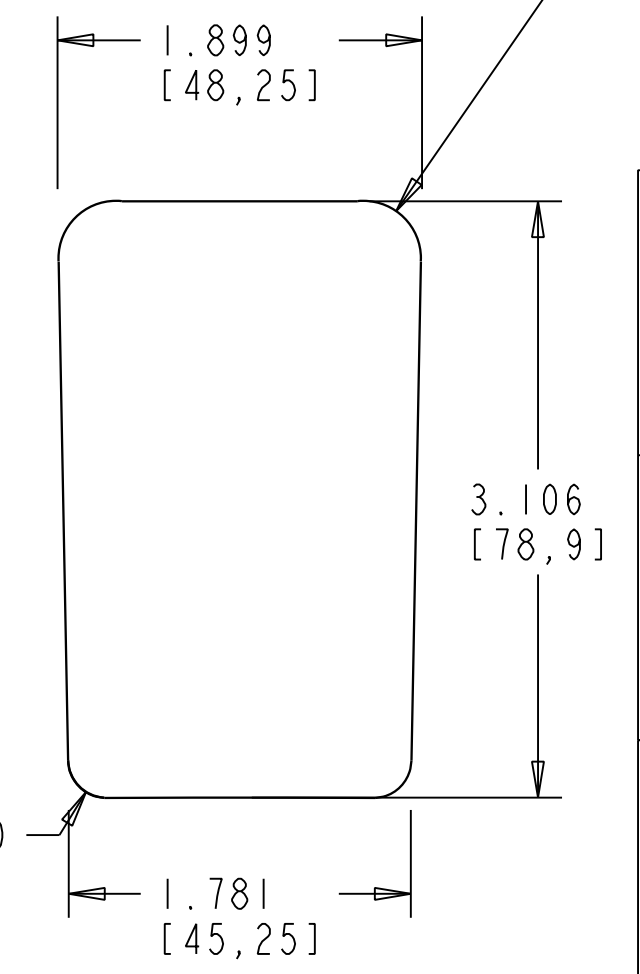


SECTION A-A



SCALE 1.000

LENS OR OVERLAY FOOTPRINT



SCALE 1.000
OVERLAY FOOTPRINT

SCREWS FOR MOUNTING PC BOARDS ARE NOT PROVIDED
THREAD FORMING SCREWS ARE RECOMMENDED
#3 SCREWS OR 2.5 METRIC SCREWS ARE RECOMMENDED

PACNTEC®
1-610-361-4286

PPT 3468

VISIT **PACNTEC®**
ON THE WORLD WIDE WEB
www.pactecenclosures.com

DRAWING NUMBER	REV
115389-PPT3468	A