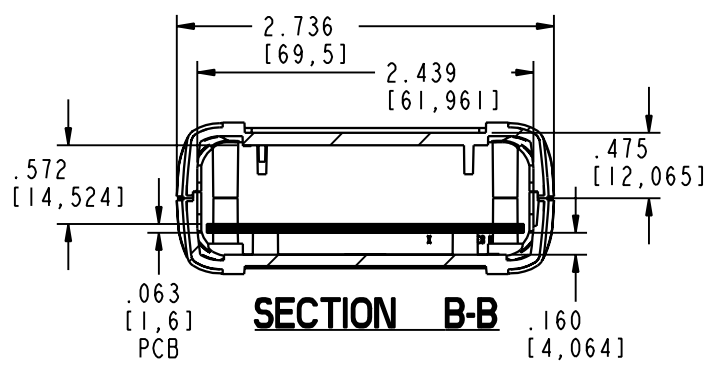
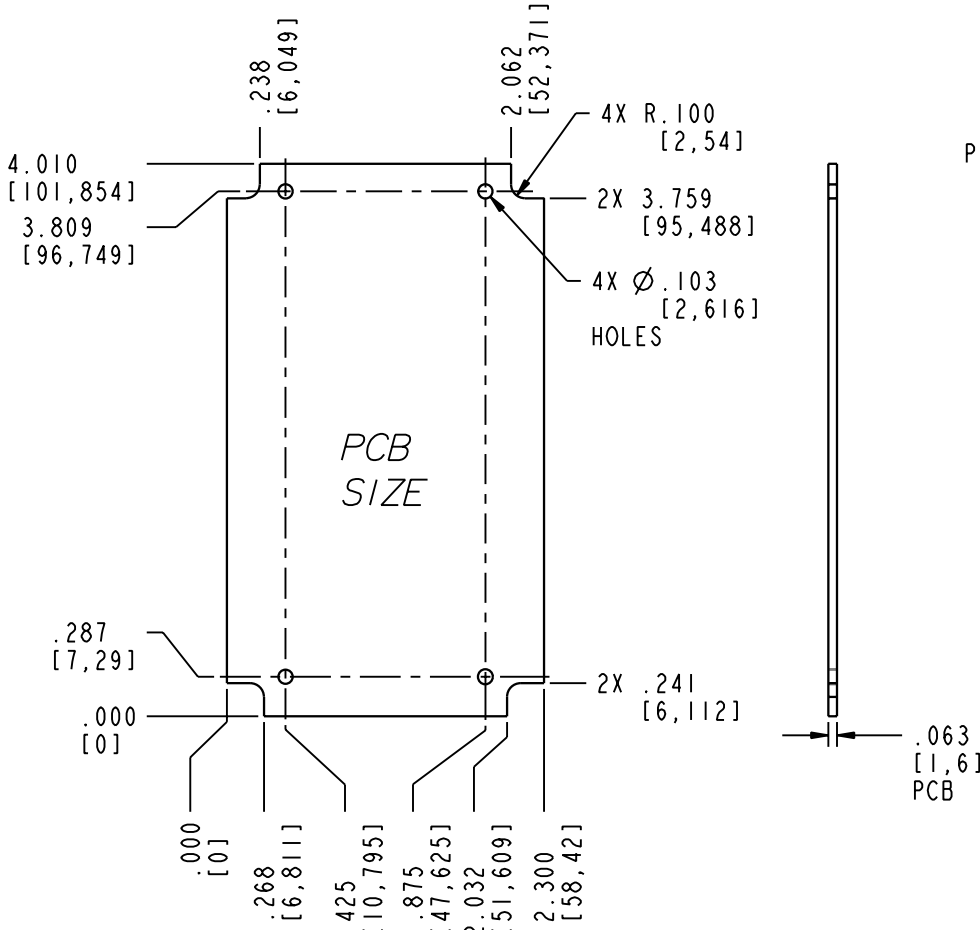
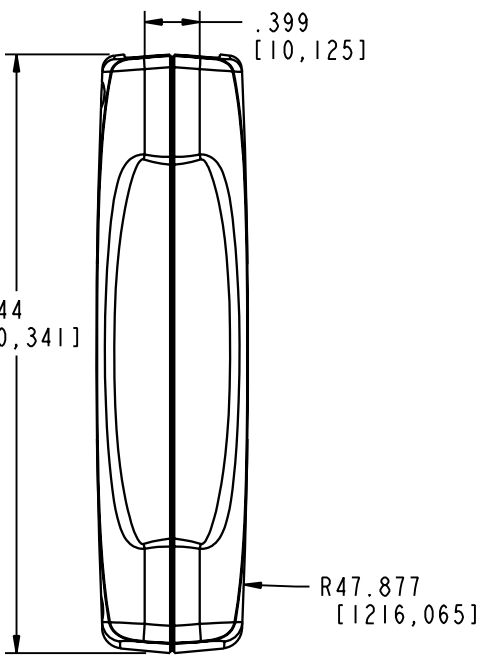
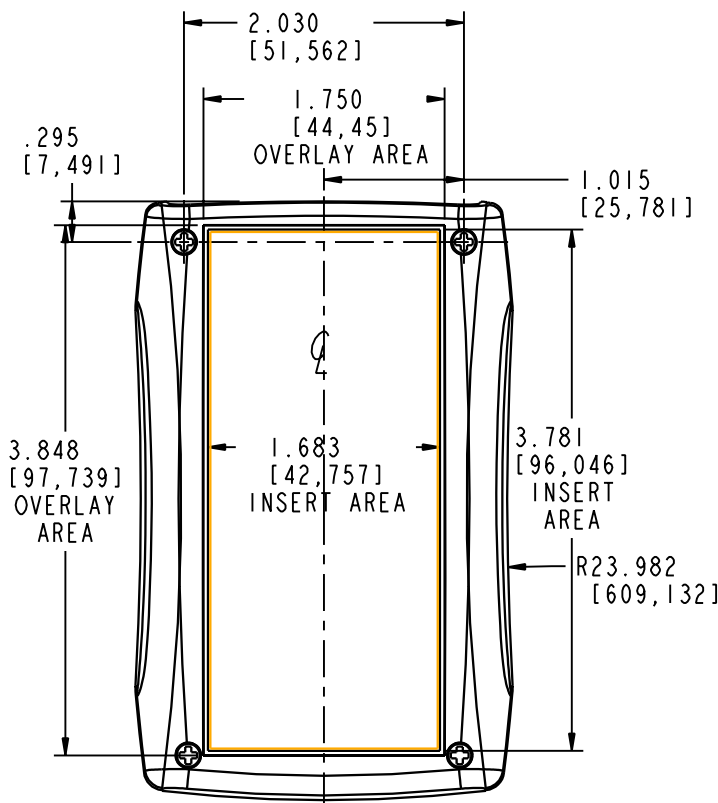
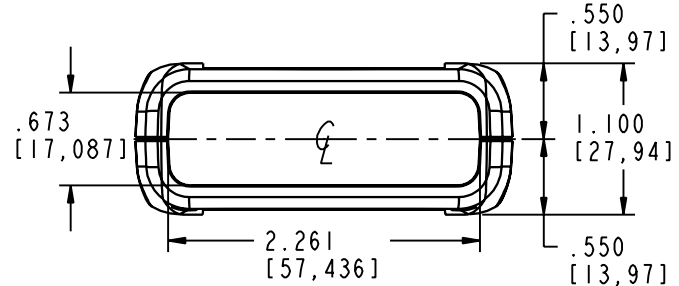


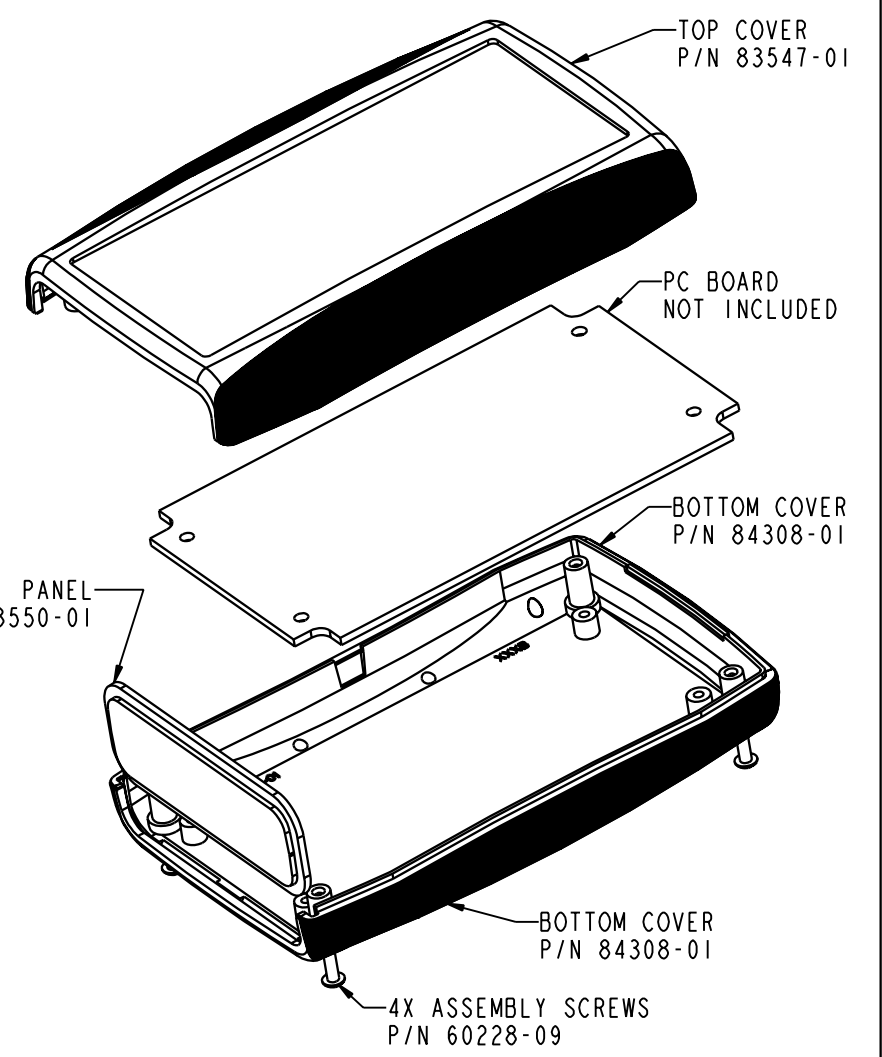
**SECTION A-A**



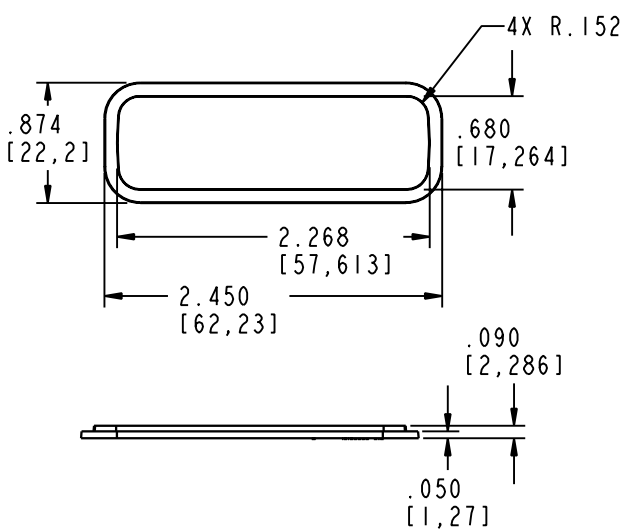
**SECTION B-B**



*PCB SIZE*



NOTE:  
 1. PL 84306-510-... FOR ASSY WITH EBONY (PMS BLACK C) RUBBER TRIM.  
 PL 84307-510-... FOR ASSY WITH DARK GRAY (PMS #433) RUBBER TRIM.  
 2. PC BOARD IS MOUNTED WITH 4 #2 TYPE "B" TRHEAD FORMING SCREWS (NOT SUPPLIED).



**PACNTEC**<sup>®</sup>  
 1-610-361-4231

**PPL**

VISIT **PACNTEC**<sup>®</sup>  
 ON THE WORLD WIDE WEB  
[www.pactecenclosures.com](http://www.pactecenclosures.com)

COLOR / MATERIAL CODE		
COLOR	94HB	94VO
LT GRAY	508	308

DRAWING NUMBER	REV
84309	B