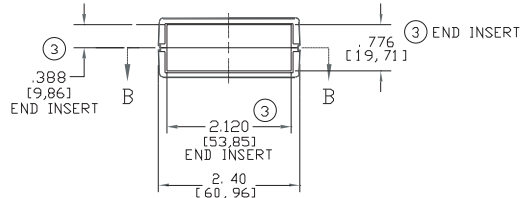
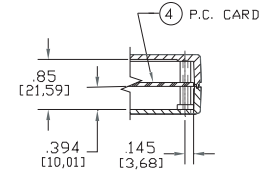
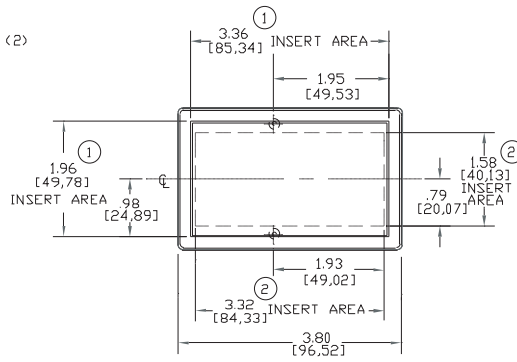


SECTION B-B

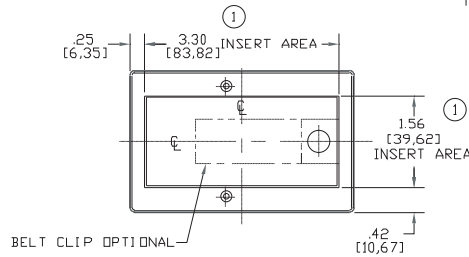
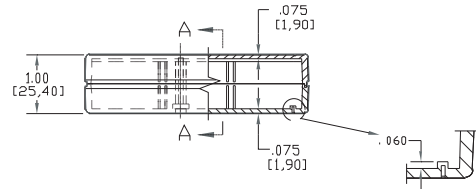


NOTES:

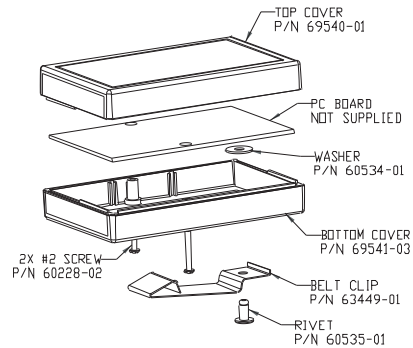
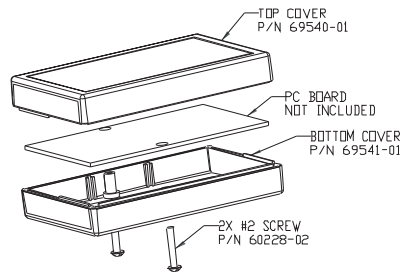
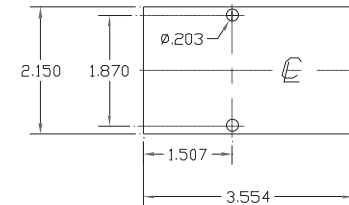
- ① EXTERIOR INSERT AREA, FOR IN MOLD MODIFICATION.
- ② INTERIOR INSERT AREA, FOR IN MOLD MODIFICATION.
- ③ END INSERT AREA, FOR IN MOLD MODIFICATION. TYP, BOTH ENDS.



SECTION A-A



BELT CLIP OPTIONAL



INCHES
[MM]

PACNTEC®
1-610-361-4200

JM24 & JM24-BC

VISIT **PACNTEC®**
ON THE WORLD WIDE WEB
www.pactecenclosures.com

COLOR / MATERIAL CODE		
CDLDR	94HB	94VD
BLACK	000	028
P.C.BDNE	039	060

DRAWING NUMBER	REV
71033	B