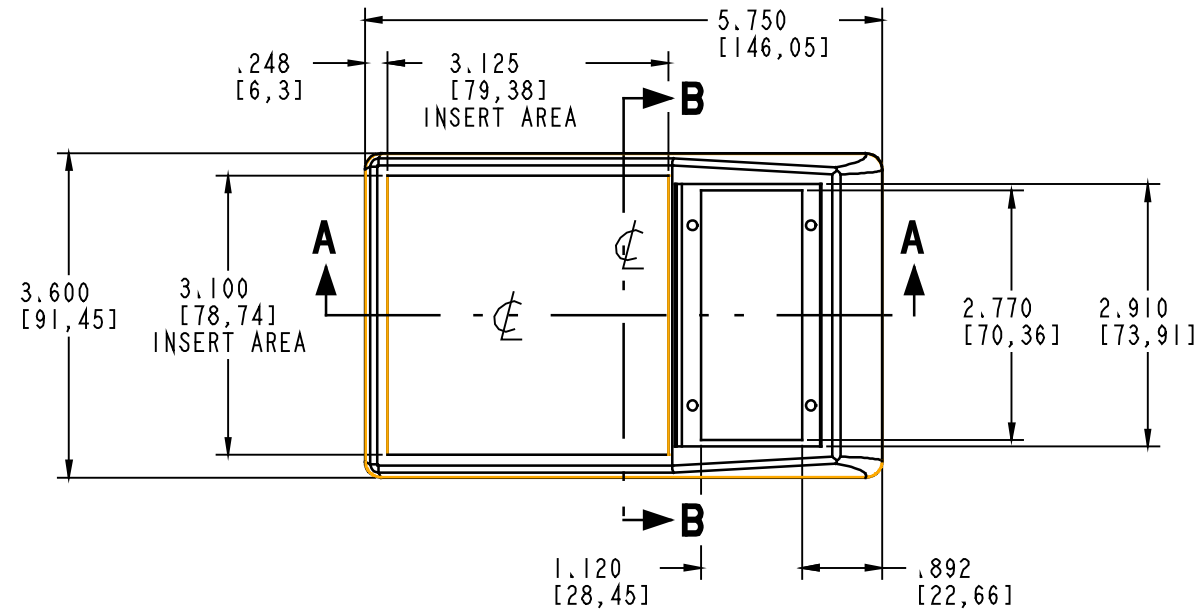
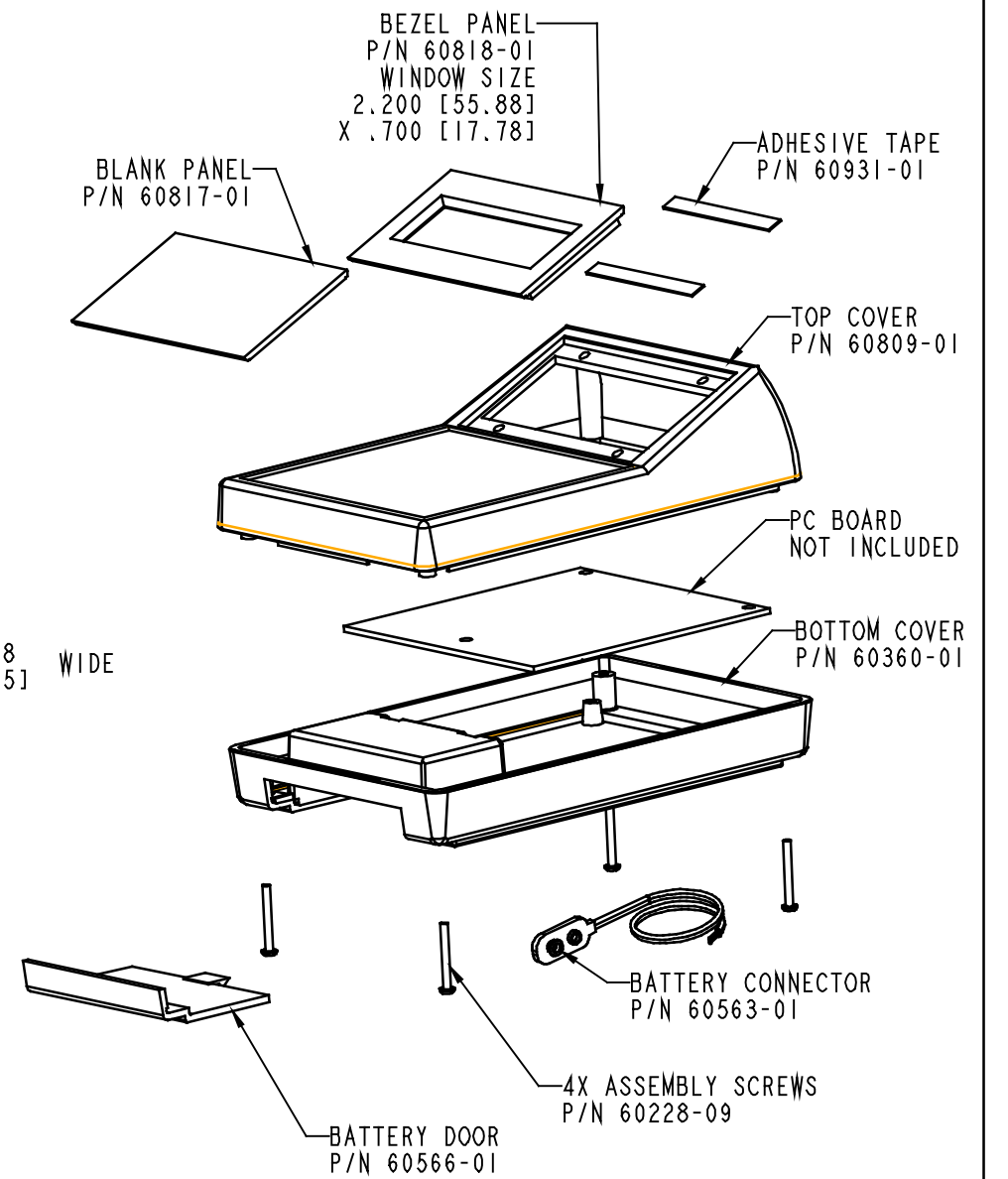
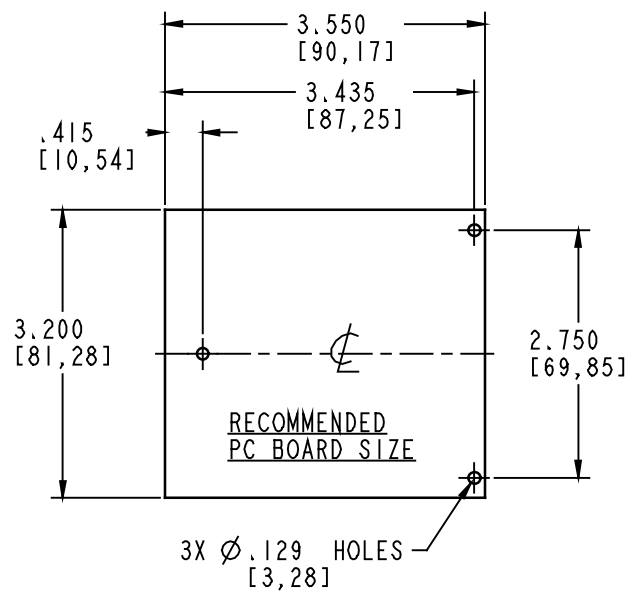
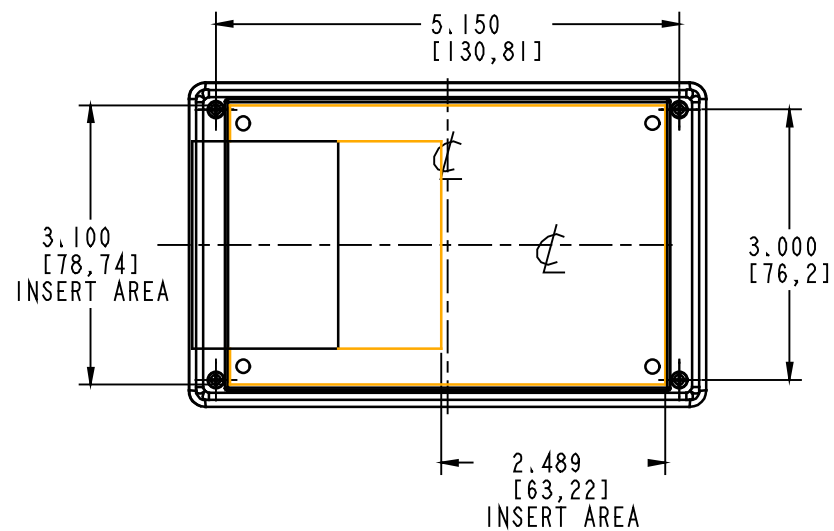
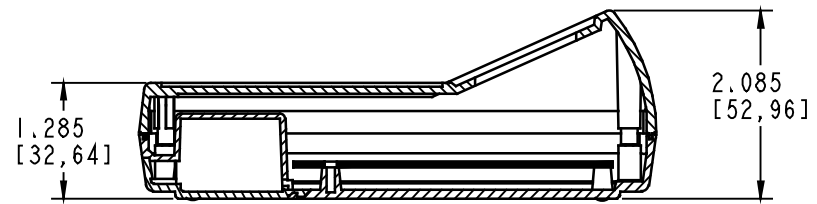


SECTION B-B



SECTION A-A



PACNTEC[®]
1-610-361-4200

HPS-9VB

VISIT **PACNTEC**[®]
ON THE WORLD WIDE WEB
www.pactecenclosures.com

| COLOR / MATERIAL CODE | | |
|-----------------------|------|------|
| COLOR | 94HB | 94VO |
| BLACK | 000 | 028 |
| P.C.BONE | 039 | 060 |

| DRAWING NUMBER | REV |
|----------------|-----|
| 60814 | D |