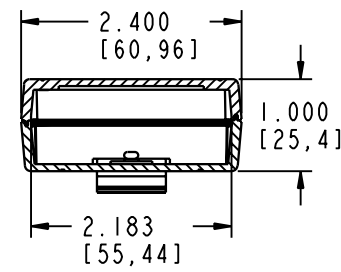
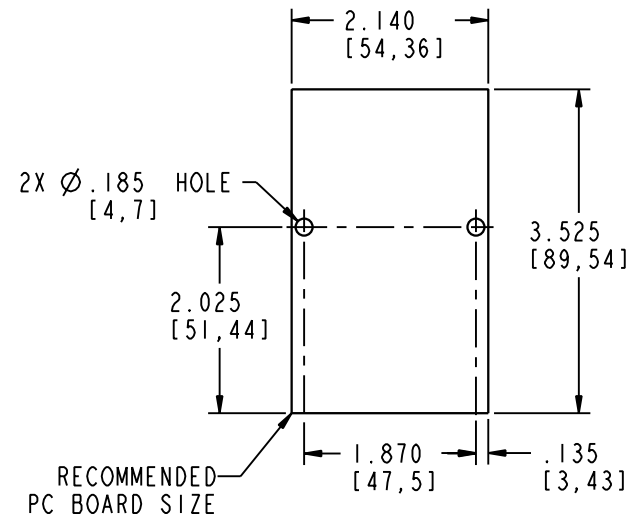
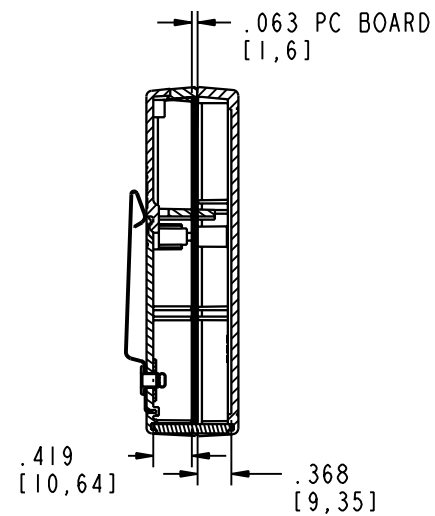
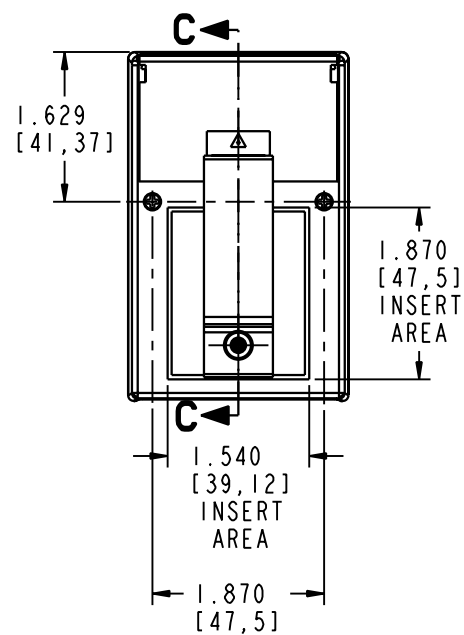


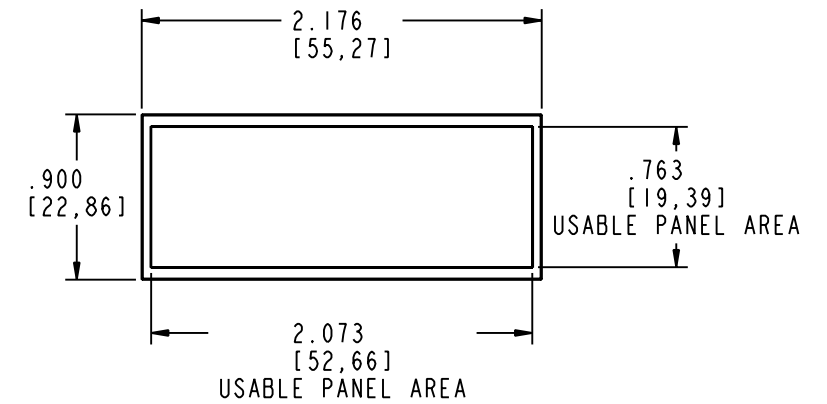
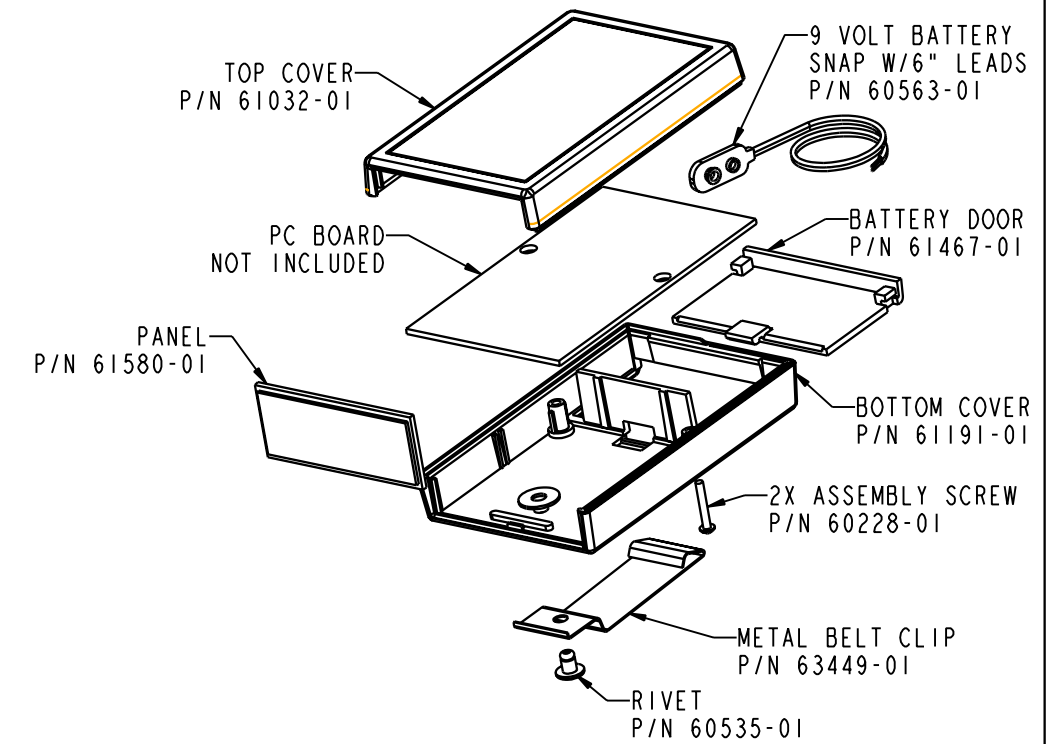
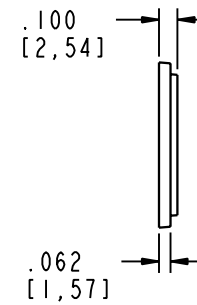
SECTION B-B



SECTION A-A



SECTION C-C



PACINTEC[®]
1-610-361-4231

HM-9VB-BC

VISIT **PACINTEC**[®]
ON THE WORLD WIDE WEB
www.pactecenclosures.com

COLOR / MATERIAL CODE		
COLOR	94HB	94VO
BLACK	000	028
P. C. BONE	039	060

DRAWING NUMBER	REV
77601	C