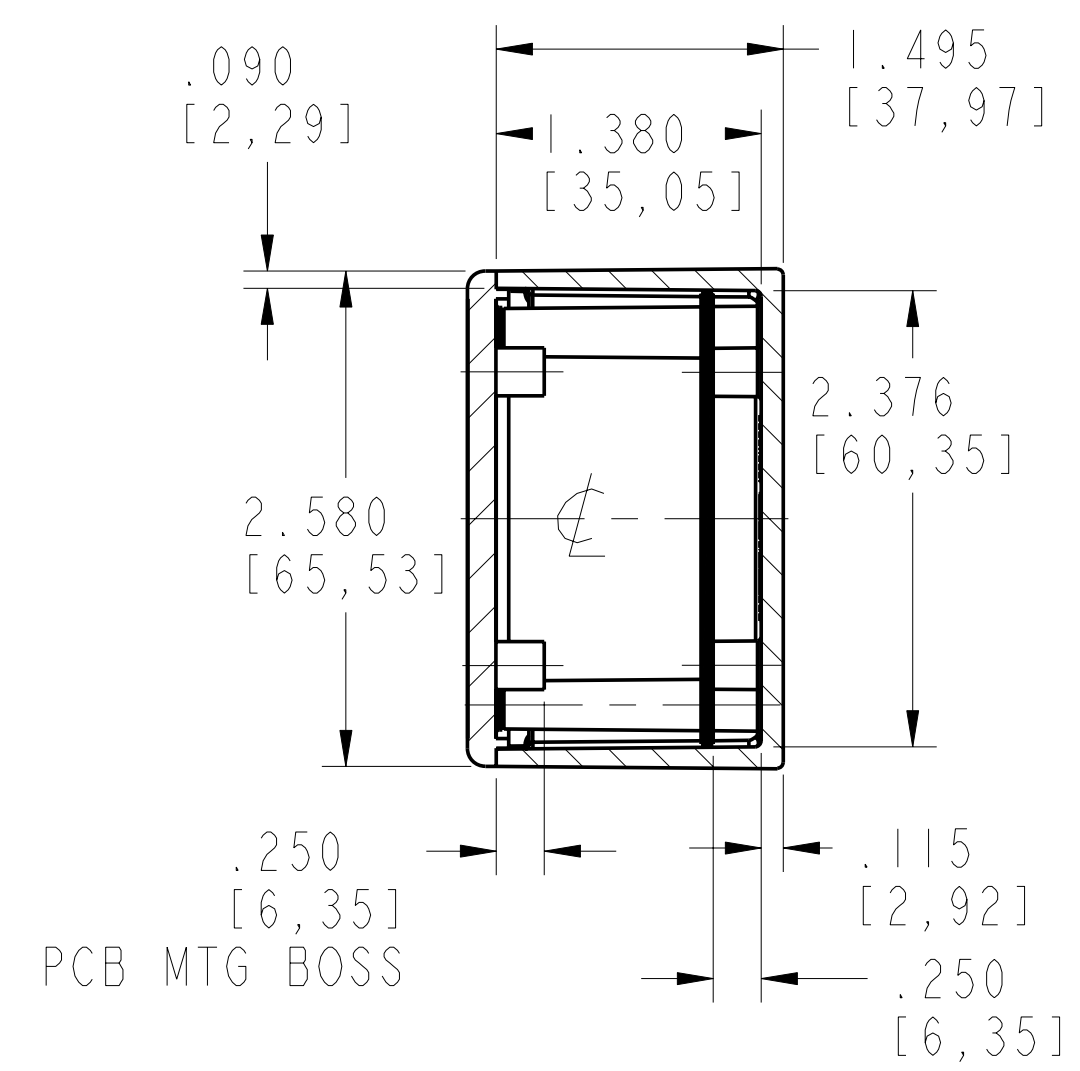
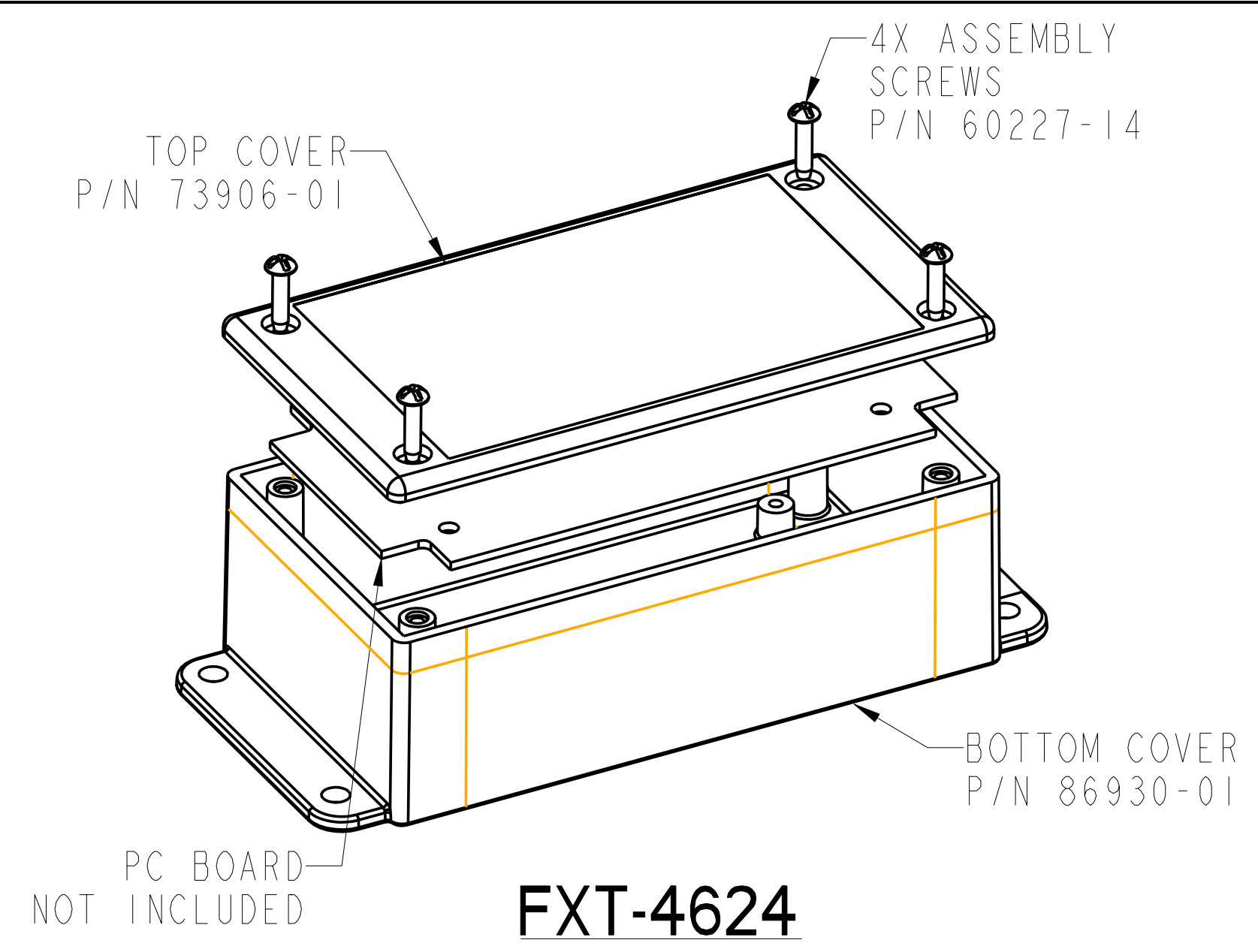


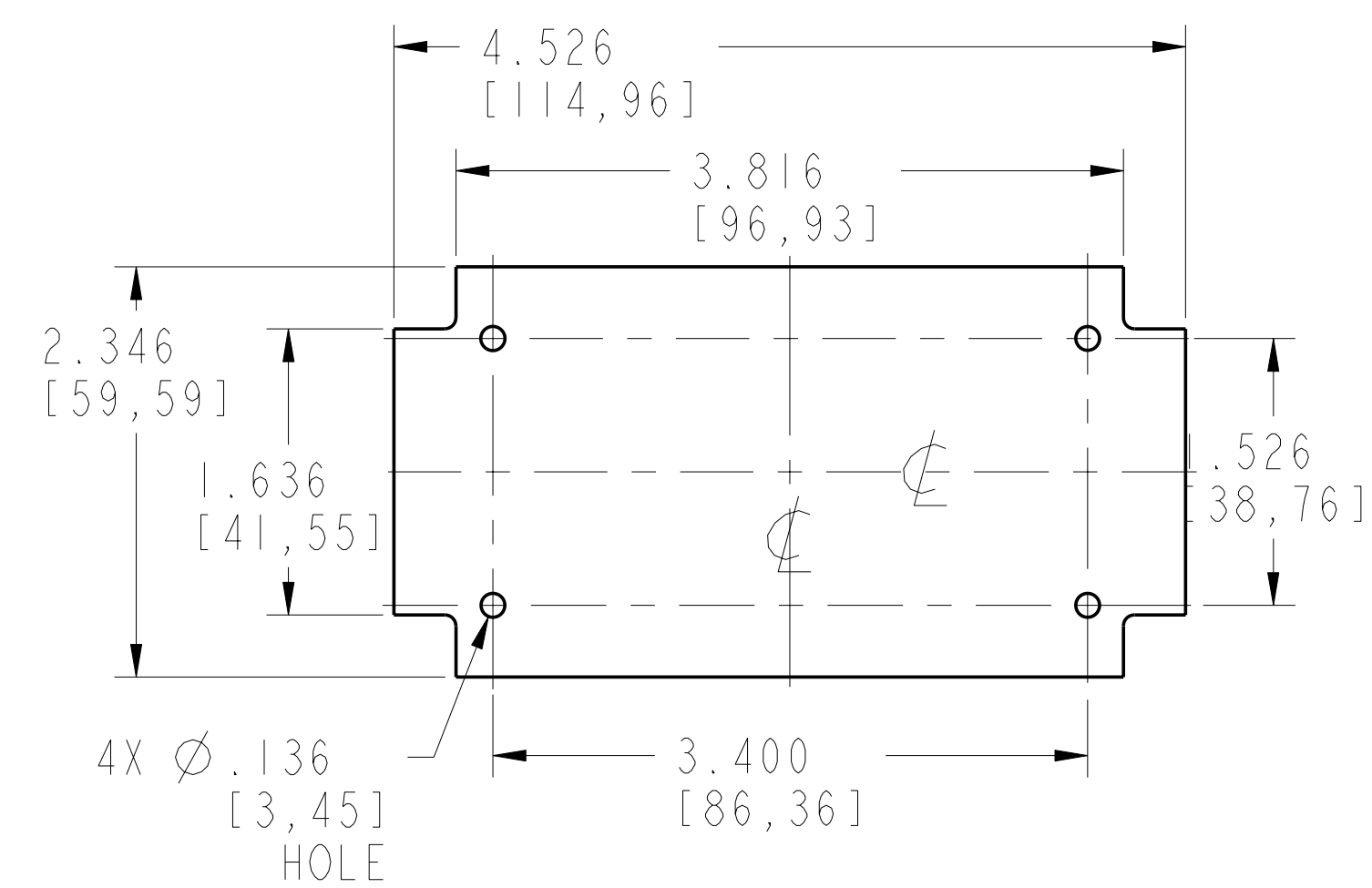
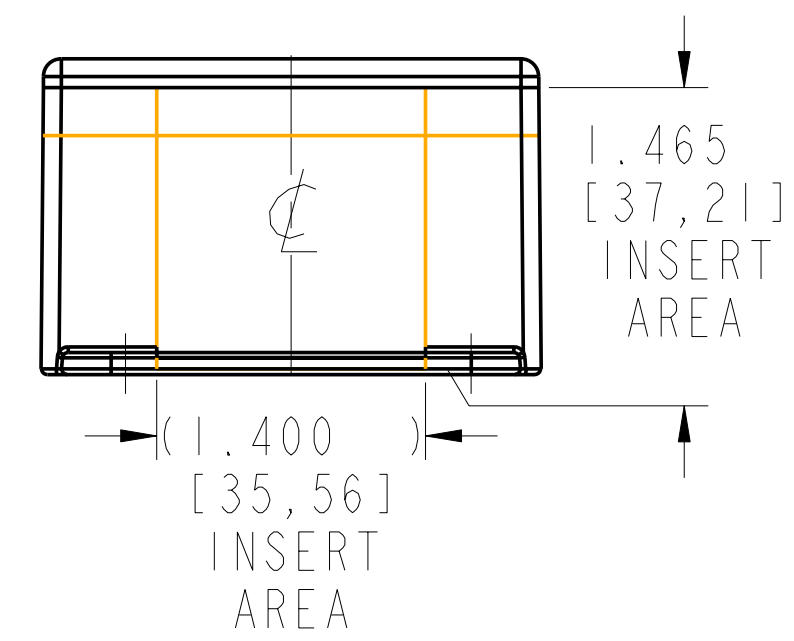
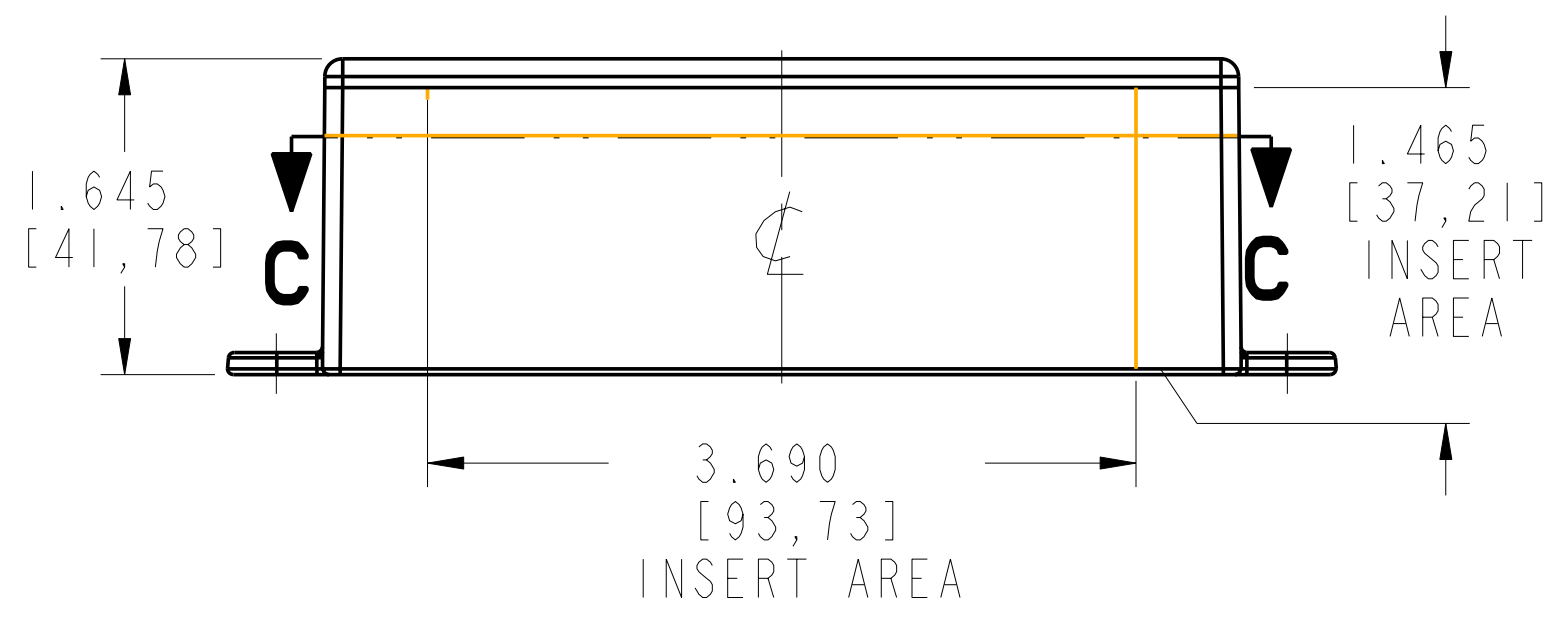
SECTION C-C



SECTION B-B



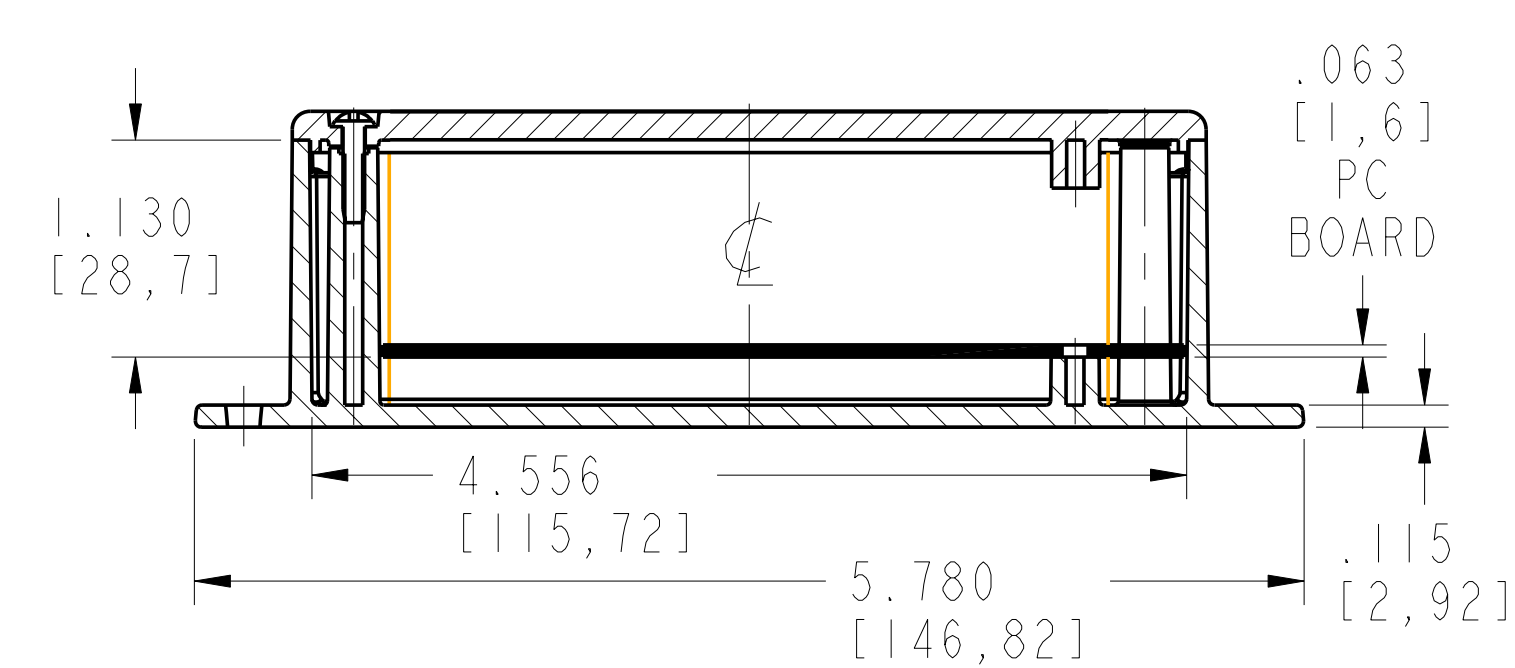
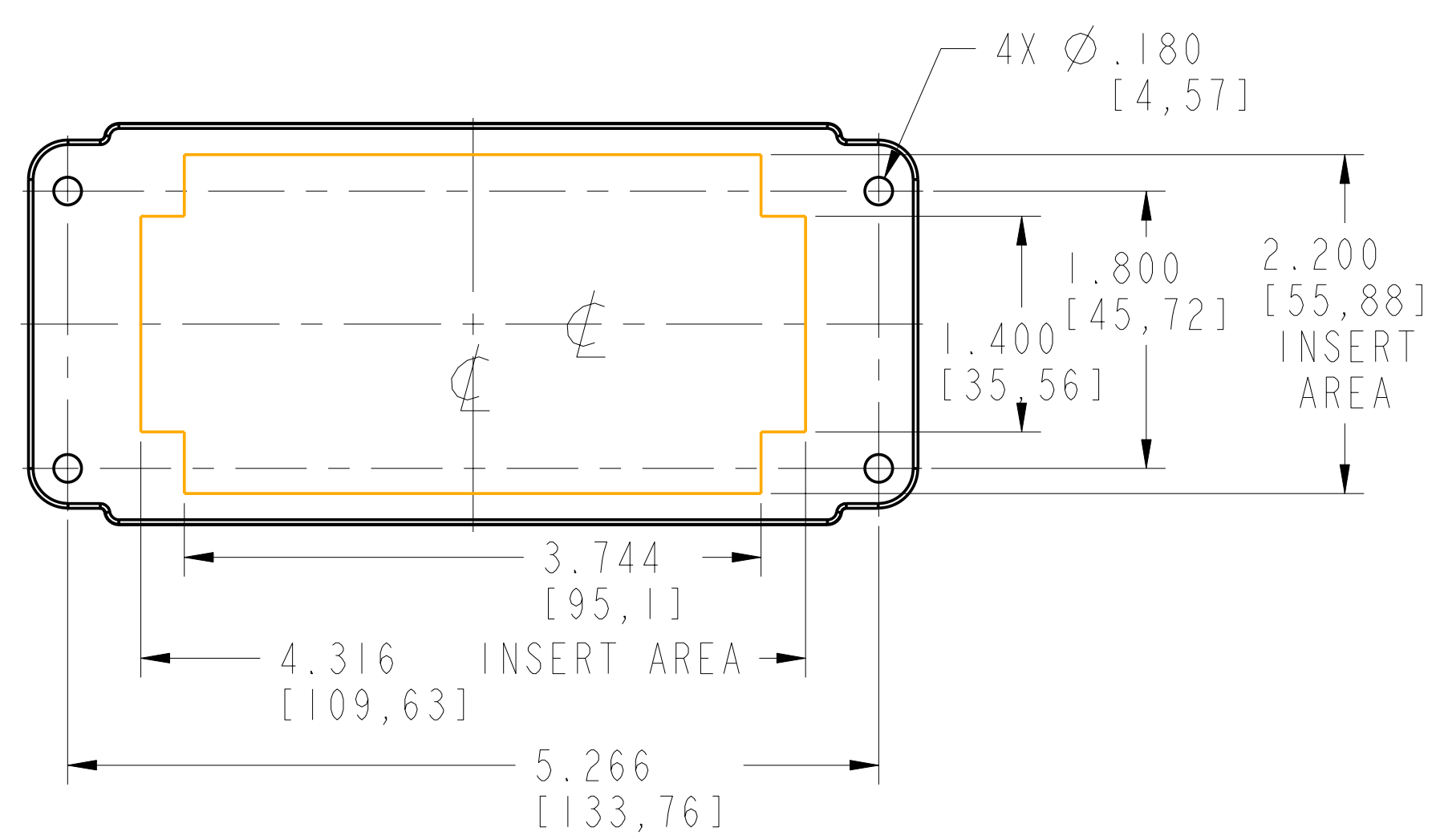
FXT-4624



PCB LAYOUT

NOTES:

- USE #4 TYPE "B" THREAD FORMING SCREWS X .25 [6,35] OR .31 [7,94] TO ATTACH PC BOARD.



SECTION A-A

PACNTEC[®]
1-610-361-4231

FXT-4624

VISIT **PACNTEC**[®]
ON THE WORLD WIDE WEB
www.pactecenclosures.com

COLOR / MATERIAL CODE	
COLOR	94HB 94VO
BLACK	000 028
P.C.BONE	039 060

INSERT AREAS ARE SECTIONS IN OUR TOOLS THAT CAN BE REMOVED AND REPLACED WITH CUSTOMER SPECIFIC DETAILS

DRAWING NUMBER	REV
86931	B