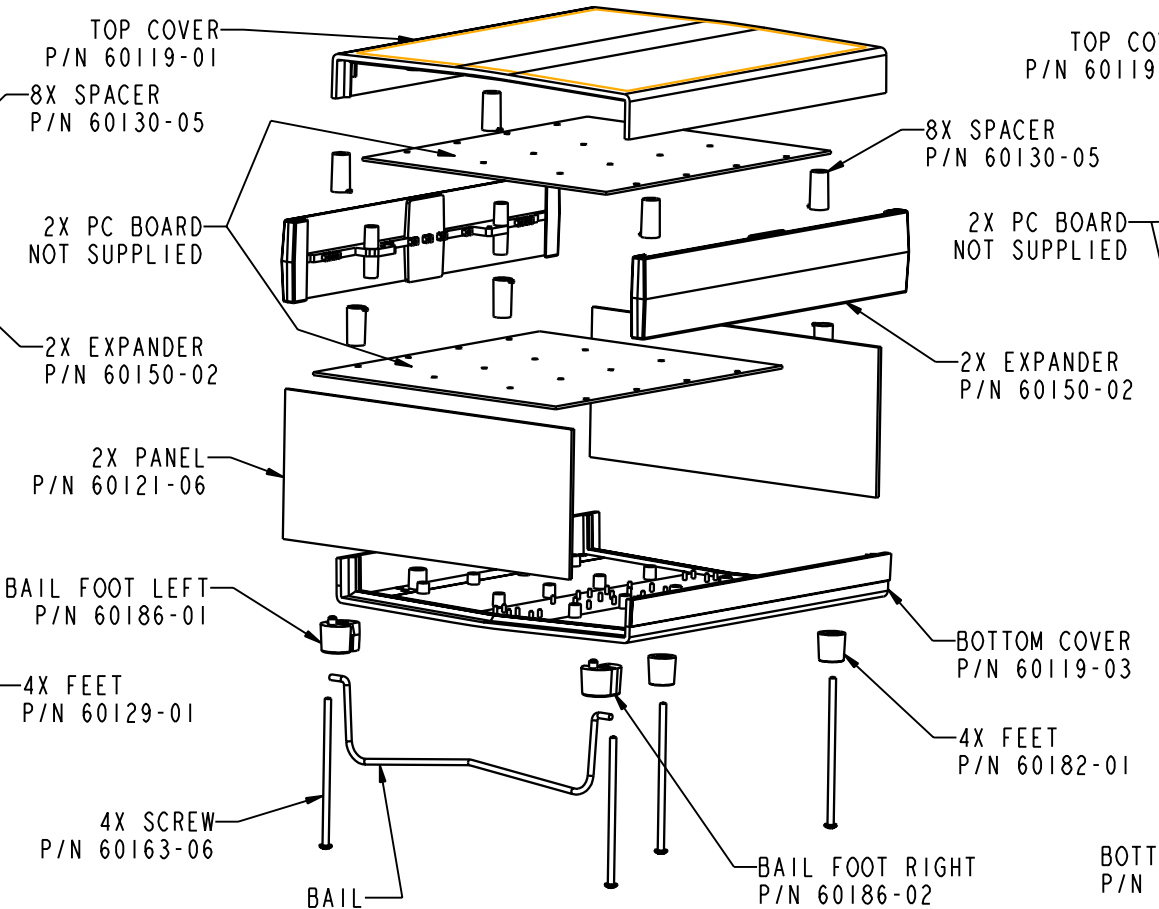
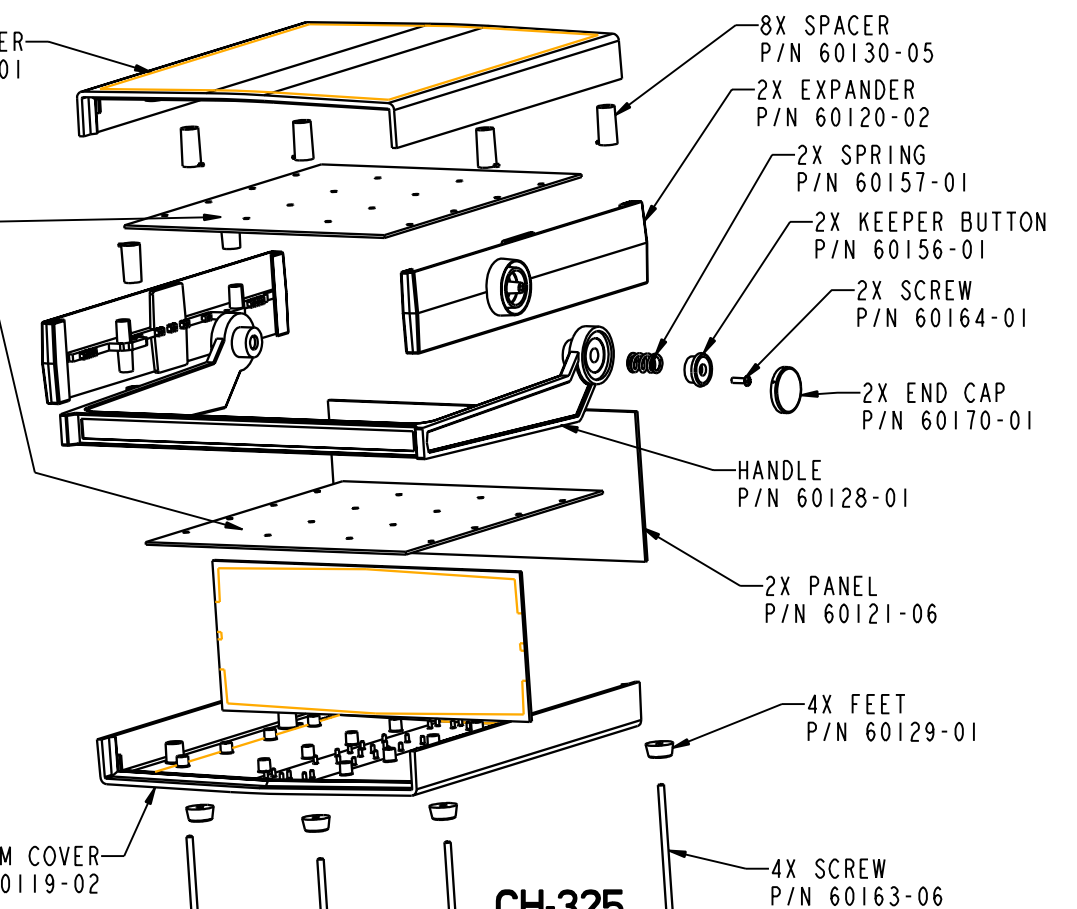


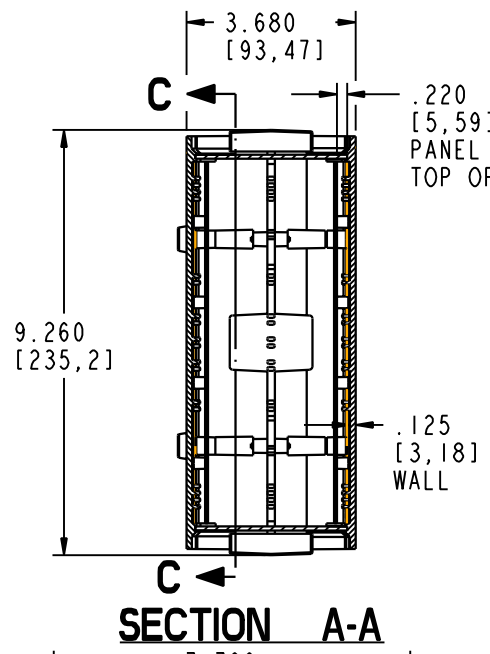
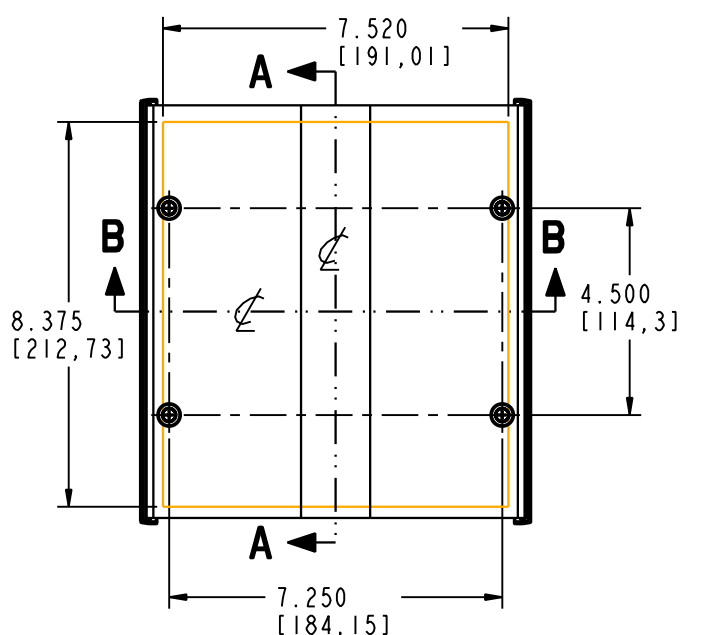
**C-325**



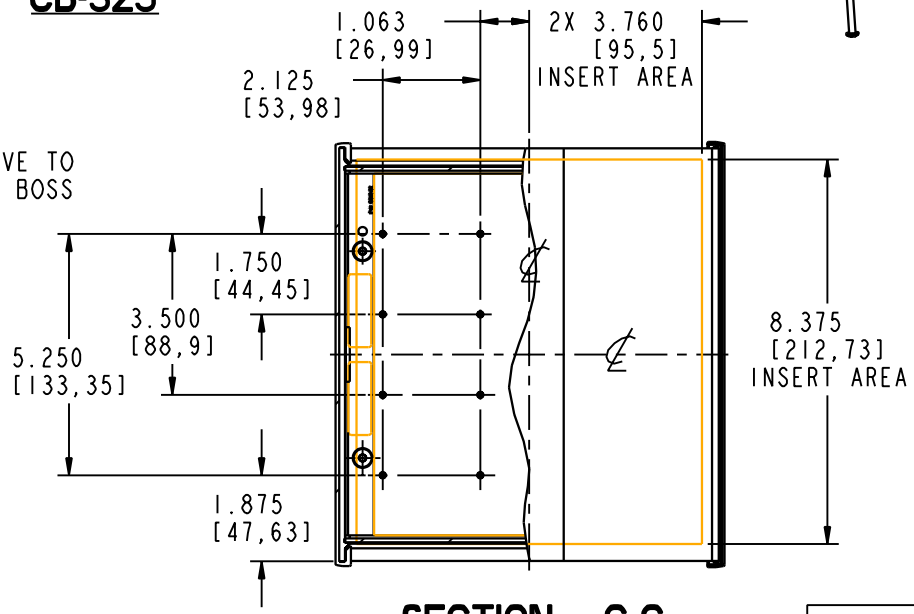
**CB-325**



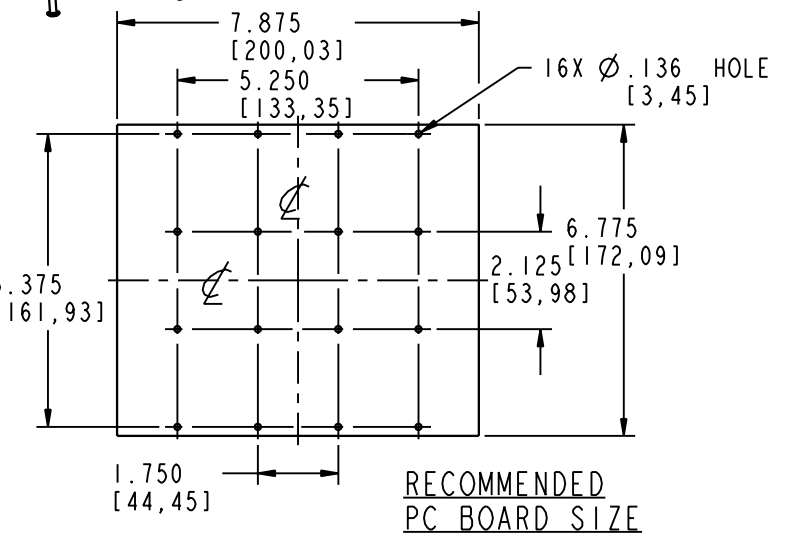
**CH-325**



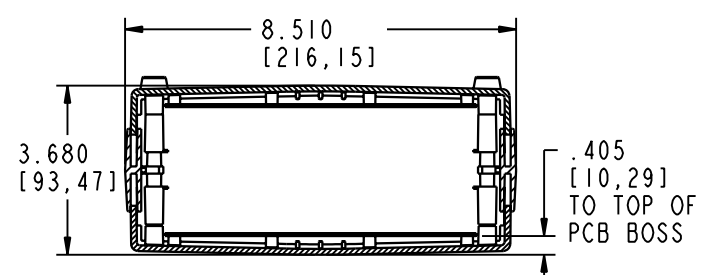
**SECTION A-A**



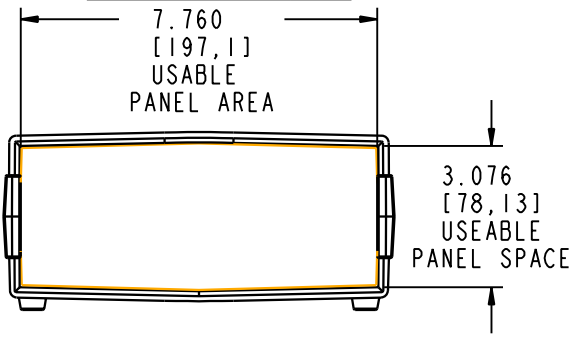
**SECTION C-C**



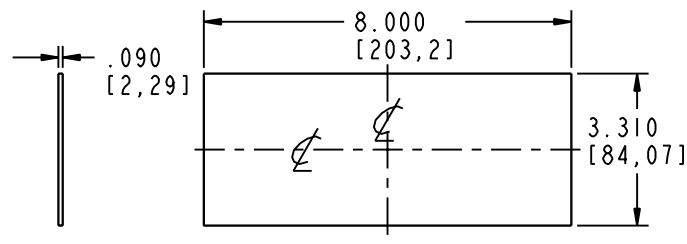
**RECOMMENDED PC BOARD SIZE**



**SECTION B-B**



**PANEL SIZE**



**PACINTEC®**  
1-610-361-4231

**C-325, CB-325 & CH-325**

VISIT **PACINTEC®**  
ON THE WORLD WIDE WEB  
[www.pactecenclosures.com](http://www.pactecenclosures.com)

COLOR / MATERIAL CODE		
COLOR	94HB	94VO
BLACK	000	028
P. C. BONE	039	060

DRAWING NUMBER	REV
79478	C